

Version 1



Version 2



CROCHET | SKILL LEVEL: INTERMEDIATE

MATERIALS

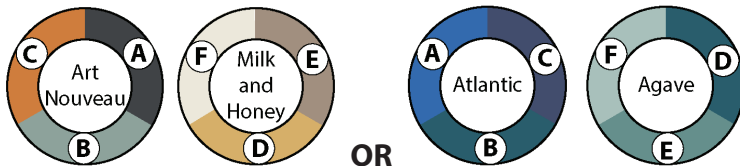
Bernat® Blanket™ O'Go™ (10.5 oz/300 g; 220 yds/201 m)

Version 1

Art Nouveau (42022) **2 O'Gos**
 Milk and Honey (42005) **2 O'Gos**

Version 2

Atlantic (42017) **2 O'Gos**
 Agave (42010) **2 O'Gos**



OR

Size U.S. L/11 (8 mm) crochet hook **or size needed to obtain gauge.** Stitch marker. Yarn needle. Heavy duty shipping packing tape. Utility knife. Straight edge for cutting. 2 pieces of cardboard each 5" [12.5 cm] wide x 41" [104 cm] long or 1 piece of 20" x 30" [51 x 76 cm] plastic corrugated board.

ABBREVIATIONS

Approx =

Approximately

Beg = Beginning

Ch = Chain(s)

Cont = Continue(ity)

Dec = Decrease(ing)

Hdc = Half double
crochet

Hdcbl = Half double
crochet in back loop
only

Inc = Increase(ing)

Pat = Pattern

Rem = Remaining

Rep = Repeat

Rnd(s) = Round(s)

RS = Right side

Sl st = Slip stitch

Sp(s) = Space(s)

Splhdc = Split half
double crochet: work
hdc between 'legs'
at front and back of
stitch (splitting stitch)
instead of through
top loops. Stitches
should appear as
"V"s on RS and WS of
work.

Splhdc2tog = Yoh.

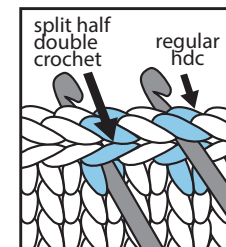
Draw up a loop
between "legs" of
each of next
2 stitches (splitting
the sts as per splhdc).
Yoh and draw
through all loops on
hook.

St(s) = Stitch(es)

Tog = Together

WS = Wrong side

Yoh = Yarn over hook



MEASUREMENTS

Approx 16" [40.5 cm] diameter x 14½" [37 cm] tall.

GAUGE

9 splhdc and 9 rows = 4" [10 cm].

INSTRUCTIONS

Notes:

- To begin working with the O'Go format, carefully cut plastic tie where the ends of the O'Go meet.
- Pull tie to remove.
- Colors can be easily separated by gently pulling apart and cutting at the color transition. Each color is ready to use.
- Designate each color A, B, C, D, E, F as indicated in Materials.
- Start crocheting!

BASE

Note: Do not join at ends of rnds unless otherwise stated. Cont working in spiral placing marker on first st of rnd for easier counting.

With A, ch 2.

1st rnd: 7 hdc in 2nd ch from hook. 7 hdc.

Cont working in spiral as follows:

2nd rnd: 2 splhdc in each hdc around. 14 sts.

3rd rnd: *2 splhdc in next st. 1 splhdc in next st. Rep from * around. 21 sts.

4th rnd: *2 splhdc in next st. 1 splhdc in each of next 2 sts. Rep from * around. 28 sts.

5th rnd: *2 splhdc in next st. 1 splhdc in each of next 3 sts. Rep from * around. 35 sts.

6th rnd: *2 splhdc in next st. 1 splhdc in each of next 4 sts. Rep from * around. 42 sts.

7th rnd: *2 splhdc in next st. 1 splhdc in each of next 5 sts. Rep from * around. 49 sts.

8th rnd: *2 splhdc in next st. 1 splhdc in each of next 6 sts. Rep from * around. 56 sts.

9th to 14th rnds: Cont in this manner, inc 7 sts each rnd, until there are 98 sts.

15th rnd: *2 splhdc in next st. 1 splhdc in each of next 13 sts. Rep from * around. 105 sts.

16th rnd: *(2 splhdc in next st. 1 splhdc in each of next 11 sts) twice. 2 splhdc in next st. 1 splhdc in each of next 10 sts. Rep from * around. 114 sts.

Join with sl st to first st of last rnd. Fasten off.

Sides and Opening

Notes:

- **Do not** join at ends of rnds unless otherwise stated. Cont working in spiral placing marker on first st of rnd for easier counting.
- To join new color, work to last loops on hook of previous color. Yoh with new color, draw through rem loops and proceed with new color.
- Ch 1 at beg of rows/rnds **does not** count as st.

Proceed with Side as follows:

1st rnd: (RS). With RS facing, join B with sl st to back loop only of any st of Base. Ch 1. 1 hdcbl in same st as last sl st. 1 hdcbl in each st around.

Cont working in spiral as follows:

2nd and 3rd rnds: 1 splhdc in each st around.

Join with sl st to first st of last rnd. Turn.

Next row: (WS). Ch 1. 1 splhdc in each of first 96 sts. Join C. Break A. **Turn**, leaving rem sts unworked.

Cont working in rows for Opening as follows:

1st row: (RS). With C, ch 1. 1 splhdc in each st to end of row. Turn. 96 sts.

2nd and 3rd row: Ch 1. 1 splhdc in each st to end of row. Turn.

4th row: Ch 1. 1 splhdc in each st to end of row. Turn. Join B. Break C.

5th row: With B, ch 1. 1 splhdc in each st to end of row. Turn. 96 sts.

6th to 8th rows: Ch 1. 1 splhdc in each st to end of row. Turn.

Join C. Break B.

9th to 11th rows: Rep 1st to 3rd rows once more.

12th row: Ch 1. 1 splhdc in each st to end of row. Join D. Break B.

13th and 14th rows: With D, ch 1. 1 splhdc in each st to end of row. Turn.

Join E. Break D.

15th row: With E, ch 1. 1 splsc in each st to end of row. Ch 18. Join with sl st to first st being careful not to twist ch. Fasten off.

TOP

Notes:

- **Do not** join at ends of rnds unless otherwise stated. Cont working in spiral placing marker on first st of rnd for easier counting.
- Carry color when not in use loosely up WS of work, unless otherwise stated.

Proceed in rnds as follows:

1st rnd: (RS). Join E with sl st to any st at back of Nest (side across from opening). Ch 1. 1 splhdc in each st to ch-18 sp. 1 hdc in each of next 18 ch. 1 splhdc in each st to end of rnd. Join F. 114 sts.

Cont working in spiral as follows:

2nd rnd: With F, skip first ch. 1 splhdc in each st around.

3rd rnd: *Splhdc2tog. 1 splhdc in each of next 17 sts. Rep from * to end of rnd. Join D. 108 sts.

4th rnd: With D, 1 splhdc in each st around.

5th rnd: *1 splhdc in each of next 8 sts. Splhdc2tog. 1 splhdc in each of next 8 sts. Rep from * to end of rnd. Join E. 102 sts.

6th rnd: With E, 1 splhdc in each st around.

7th rnd: *Splhdc2tog. 1 splhdc in each of next 15 sts. Rep from * to end of rnd. Join F. 96 sts.

8th rnd: With F, 1 splhdc in each st around.

9th rnd: *1 splhdc in each of next 7 sts. Splhdc2tog. 1 splhdc in each of next 7 sts. Rep from * to end of rnd. Join D. 90 sts.

10th rnd: With D, *Splhdc2tog. 1 splhdc in each of next 13 sts. Rep from * to end of rnd. 84 sts.

11th rnd: *1 splhdc in each of next 6 sts. Splhdc2tog. 1 splhdc in each of next 6 sts. Rep from * to end of rnd. Join E. 78 sts.

12th rnd: With E, *Splhdc2tog. 1 splhdc in each of next 11 sts. Rep from * to end of rnd. 72 sts.

13th rnd: *1 splhdc in each of next 5 sts. Splhdc2tog. 1 splhdc in each of next 5 sts. Rep from * to end of rnd. 66 sts.

14th rnd: With F, *Splshdc2tog. 1 splhdc in each of next 9 sts. Rep from * to end of rnd. 60 sts.

15th rnd: *1 splhdc in each of next 4 sts. Splshdc2tog. 1 splhdc in each of next 4 sts. Rep from * to end of rnd. Join D. 54 sts.

16th rnd: With D, *Splhdc2tog. 1 splhdc in each of next 7 sts. Rep from * to end of rnd. 48 sts.

17th rnd: *1 splhdc in each of next 3 sts. Splhdc2tog. 1 splhdc in each of next 3 sts. Rep from * to end of rnd. Join E. 42 sts.

18th rnd: With E. *Splhdc2tog. 1 splhdc in each of next 5 sts. Rep from * to end of rnd. 36 sts.

19th rnd: *1 splhdc in each of next 2 sts. Splhdc2tog. 1 splhdc in each of next 2 sts. Rep from * to end of rnd. Join F. 30 sts.

20th rnd: With F, *Splhdc2tog. 1 splhdc in each of next 3 sts. Rep from * to end of rnd. Join E. 24 sts.

21st rnd: *Splshdc2tog. 1 splhdc in each of next 2 sts. Rep from * to end of rnd. Join D. 18 sts.

22nd rnd: With D, *Splhdc2tog. 1 splhdc in next st. Rep from * to end of rnd. 12 sts.

23rd rnd: *(Splhdc2tog) 6 times. 6 sts.

Fasten off, leaving a long Tail.

Weave Tail through tops of rem 6 sts and pull tight to close hole at top of Nest. Fasten securely.

FINISHING

Edging: (RS). Join C with sl st to any st around Opening. Ch 1. Work sc evenly around opening. Join with sl st to top of first sc. Fasten off.

Internal Structure (as shown in diagram on page 4)

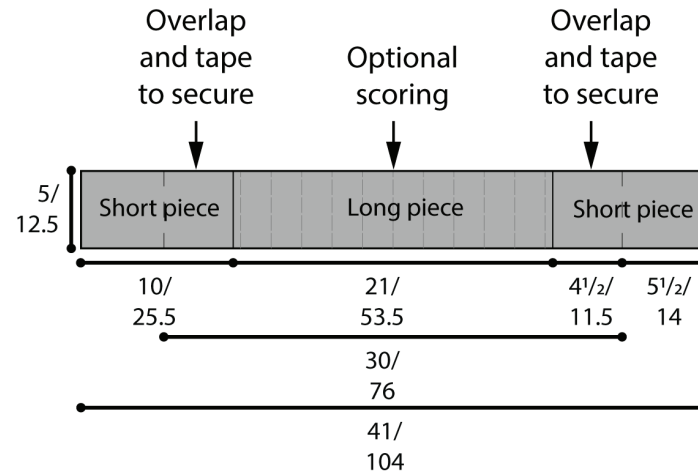
Note: If working with 20" x 30" [51 x 76 cm] piece of plastic corrugated board, cut 2 long pieces 5" [12.5 cm] wide x 30" [76 cm] long and 4 short pieces 5" [12.5 cm] wide x 10" [25.5 cm] long. Taking 1 long piece and 2 short pieces, join tog with 1 short piece overlapping long piece by 4½" [11.5 cm] at each end to form 1st board measuring 5" [12.5 cm] wide x 41" [104 cm] long. Wrap tape around pieces to secure in place. Rep for second set of 1 long piece and 2 short pieces to form 2nd board.

Take first 5" [12.5 cm] wide x 41" [104 cm] long board and curve to fit inner shape of domed top of Nest, making sure short ends of board meet edge of Base and board runs across the diameter of the base beg inside right-hand side of Opening.

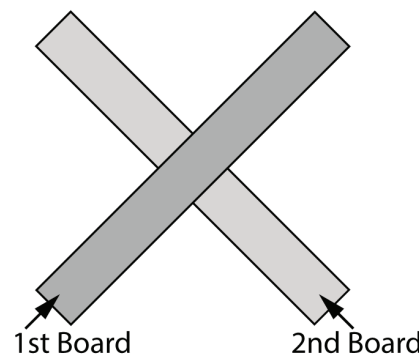
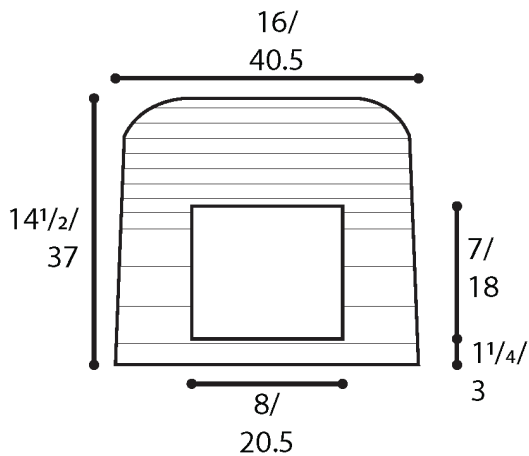
Rep for 2nd board beg inside left-hand side of Opening and crossing the 1st board at center of domed top of Nest.

Note: If working with heavier board, you may need to score the width of boards every 2" [5 cm] across center 20" [51 cm] section to ensure you can achieve a smooth curve across domed top of Nest.

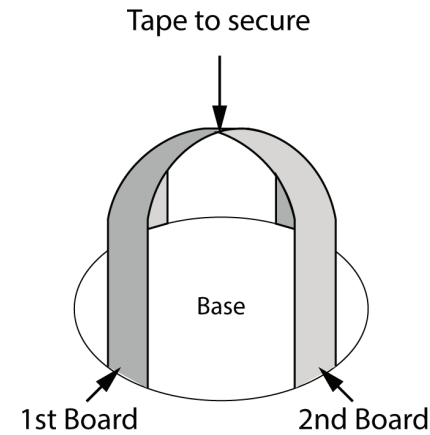
Join center of crossed boards together with tape to secure in place.



Plastic Corrugated Board (make 2)



Boards



Curved Boards

INTERNAL STRUCTURE

