

# Patons Grace



## A-LINE BUTTERFLY SET

### SIZES

#### Chest measurement

6 mos	17 ins	[ 43	cm ]
12 mos	19 ins	[ 48	cm ]
18 mos	21 ins	[ 53.5	cm ]
2 yrs	21½ ins	[ 54.5	cm ]
3 yrs	22½ ins	[ 57	cm ]

#### Finished chest

6 mos	21 ins	[ 53.5	cm ]
12 mos	23 ins	[ 58.5	cm ]
18 mos	25 ins	[ 63.5	cm ]
2 yrs	26½ ins	[ 67.5	cm ]
3 yrs	27½ ins	[ 70	cm ]

### MATERIALS

Patons Grace (50 g/1.75 oz)

Sizes 6 m 12 m 18 m 2 yrs 3 yrs

#### TUNIC

Main Color (MC) (White)

3 3 3 4 4 balls

Contrast A (Lilac)

1 1 1 1 1 ball

#### PANTS

Main Color (MC) (White)

4 4 4 5 5 balls

Contrast A (Lilac)

1 1 1 1 1 ball

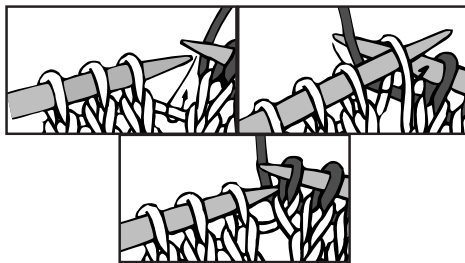
Sizes 3.25 mm (U.S. 3) and 4 mm (U.S. 6) knitting needles **or size needed to obtain tension**. 2 st holders. 2 buttons for Tunic. ¾ yard [.70 m] of ¾ inch [2 cm] wide elastic for Pants.

### TENSION

22 sts and 30 rows = 4 ins [10 cm] with larger needles in stocking st.

### ABBREVIATIONS

**M1** = make 1 st by picking up horizontal loop lying before next st and knitting into back of loop.



### INSTRUCTIONS

The instructions are written for smallest size. If changes are necessary for larger sizes, the instructions will be written thus ( ).

**Note:** When working from chart, wind small balls of the colors to be used, one for each separate area of color in the design. Start new colors at appropriate points. To change colors, twist the two colors around each other where they meet, on WS, to avoid a hole.

#### TUNIC

##### BACK

\*\*With A and smaller needles, cast on 69 (75-81-84-89) sts.

Work 3 rows garter st (knit every row), noting 1st row is WS and inc 3 (3-3-4-4) sts evenly across last row. 72 (78-84-88-93) sts.

Change to larger needles and work 4 rows in stocking st.

**Sizes 6 and 12 mos only: Next row:** (RS). With A, K7 (13). Work 1st row of Chart I, reading row from **right** to left and noting 20 st rep will be worked 3 times. With A, K5.

**Next row:** With A, P5. (Work 2nd row of Chart I, reading row from **left** to right) 3 times. With A, P7 (13).

Chart I is now in position. Cont working Chart I until row 6 is completed.

**Next row:** (RS). With A, K5 (11). K2tog. (Work 7th row of Chart I) 3 times. With A, K5. 68 (74) sts.

**Next row:** With A, P5. (Work 8th row of Chart I) 3 times. With A, P6 (12).

**Next row:** With MC, K6 (12). (Work 9th row of Chart I) 3 times. With MC, K5.



ABBREVIATIONS: [www.patonsyarns.com/glossary](http://www.patonsyarns.com/glossary)

**Next row:** With MC, P5. (Work 10th row of Chart I) 3 times. With MC, P6 (12).

**Next row:** With MC, K4 (10). K2tog. (Work 11th row of Chart I) 3 times. With MC, K5. 64 (70) sts.

Cont working Chart II until row 14 is completed.

**Next row:** (RS). With MC, K3 (9). K2tog. (Work 15th row of Chart I) 3 times. With MC, K5. 60 (66) sts.

**Next row:** With MC, P5. (Work 16th row of Chart II) 3 times. With MC, P4 (10).

**Sizes 18 mos, 2 and 3 yrs only: Next row:** (RS). With A, K(10-12-4). Work 1st row of Chart II, reading row from **right** to left and noting 22 st rep will be worked (3-3-4) times. With A, K(8-10-1).

**Next row:** With A, P(8-10-1). (Work 2nd row of Chart II, reading row from **left** to right) (3-3-4) times. With A, P(10-12-4).

Chart II is now in position.

Cont working Chart II until row 4 of chart is completed.

**Next row:** (RS). With A, K(8-10-2). K2tog. (Work 5th row of Chart II) (3-3-4) times. With A, K(8-10-1). (80-84-88) sts.

Cont working Chart II until row 9 of chart is completed.

**Next row:** (WS). With MC, P(8-10-1). (Work 10th row of Chart II) (3-3-4) times. With MC, P(9-11-3).

**Next row:** With MC, K(7-9-1). K2tog. (Work 11th row of Chart II) (3-3-4) times. With MC, K(8-10-1). (76-80-83) sts.

Cont working Chart II until row 16 is completed.

**Next row:** (RS). With MC, K(6-8-0). K2tog. (Work 17th row of Chart II) (3-3-4) times. With MC, K(8-10-1). (72-76-78) sts.

**Next row:** With MC, P(8-10-1). (Work 18th row of Chart II) (3-3-4) times. With MC, P(7-9-1).

**All Sizes:** With MC, work 2 rows even in stocking st.

**Next row:** (RS). K2tog. Knit to last 2 sts. Sl1. K1. pss0. 58 (64-70-74-76) sts.

With MC, cont even in stocking st until work from beg measures 7 (8-9-9½-10½) ins [18 (20.5-23-24-26.5) cm], ending with RS facing for next row.

**Shape armholes:** Cast off 3 (3-4-4-4) sts beg next 2 rows. 52 (58-62-66-68) sts.

**1st row:** (RS). K2. Sl1. K1. pss0. Knit to last 4 sts. K2tog. K2.

**2nd row:** P2. P2tog. Purl to last 4 sts. P2togtbl. P2.

**3rd row:** As 1st row.

**4th row:** Purl.\*\*

Dec 1 st each end of needle, as before, on next and every following alt row to 42 (44-48-52-54) sts.

Cont even in stocking st until armhole measures 4½ (5-5-5½-5½) ins [11.5 (12.5-12.5-14-14) cm].

**Back Neck and Shoulder shaping:**

**Next row:** (RS). K12 (13-14-16-17). K2tog (neck edge). **Turn.** Leave rem sts on a spare needle.

**Next row:** P2tog. Purl to end of row.

**Next row:** Cast off 5 (6-6-7-8) sts. Knit to last 2 sts. K2tog.

**Next row:** Purl. Cast off rem 6 (6-7-8-8) sts.

With RS of work facing, slip next 14 (14-16-16-16) sts onto a st holder. Join yarn to rem sts. Sl1. K1. pss0. Knit to end of row.

**Next row:** Cast off 5 (6-6-7-8) sts. Purl to last 2 sts. P2togtbl.

**Next row:** Sl1. K1. pss0. Knit to end of row. Cast off rem 6 (6-7-8-8) sts.

## FRONT

Work from \*\* to \*\* as given for Back. Dec 1 st each end of needle, as before, on next and every following alt row to 42 (48-52-56-58) sts.

**Size 6 mos only: V-neck shaping: 1st row:** (RS). K17. K2tog. K2. **Turn.** Leave rem sts on a spare needle.

**2nd row:** Purl.

**Sizes 12 mos, 18 mos, 2 yrs and 3 yrs only: Armhole and V-neck shaping: 1st row:** (RS). K2. Sl1. K1. pss0. K(16-18-20-21). K2tog. K2. **Turn.** Leave rem sts on a spare needle.

**2nd row:** Purl.

**3rd row:** K2. Sl1. K1. pss0. Knit to last 4 sts. K2tog. K2. (20-22-24-25) sts.

**4th row:** Purl.

**All Sizes: V-neck shaping: 1st row:** (RS). Knit to last 4 sts. K2tog. K2.

**2nd row:** Purl.

Rep last 2 rows 7 (4-6-4-4) times more. 12 (15-15-19-20) sts.

**Next row:** (RS). Knit to last 4 sts. K2tog. K2.

Work 3 rows even in stocking st.

Rep last 4 rows 0 (2-1-3-3) time(s) more. 11 (12-13-15-16) sts.

Cont even in stocking st until work from beg measures same length as Back to beg of shoulder shaping, ending with RS facing for next row.

**Shoulder shaping:** Cast off 5 (6-6-7-8) sts beg next row. Work 1 row even. Cast off rem 6 (6-7-8-8) sts.

With RS of work facing, join yarn to rem sts and proceed as follows:

**Sizes 12 mos, 18 mos, 2 yrs and 3 yrs only: 1st row:** (RS). K2. Sl1. K1. pss0. Knit to last 4 sts. K2tog. K2.  
**2nd row:** Purl.  
Rep last 2 rows once more. (20-22-24-25) sts.

**All Sizes: V-neck shaping: 1st row:** (RS). K2. Sl1. K1. pss0. Knit to end of row.  
**2nd row:** Purl.  
Rep last 2 rows 8 (4-6-4-4) times more. 12 (15-15-19-20) sts.

**Next row:** (RS). K2. Sl1. K1. pss0. Knit to end of row.  
Work 3 rows even in stocking st.  
Rep last 4 rows 0 (2-1-3-3) time(s) more. 11 (12-13-15-16) sts.

Cont even in stocking st until work from beg measures same length as Back to beg of shoulder shaping, ending with RS facing for next row.

**Shoulder shaping:** Cast off 5 (6-6-7-8) sts beg next row. Work 1 row even. Cast off rem 6 (6-7-8-8) sts.

## SLEEVES

With A and smaller needles, cast on 42 (44-46-46-46) sts.  
Knit 3 rows (garter st), noting 1st row is WS and inc 2 sts evenly across last row. 44 (46-48-48-48) sts.  
Change to larger needles and work 4 rows in stocking st.

**Sizes 6 and 12 mos only: Next row:** (RS). With A, K14 (15). Work 1st row of Chart I, reading row from **right** to left and noting 20 st rep will be worked once. With A, K10 (11).

**Next row:** With A, P10 (11). Work 2nd row of Chart I, reading row from **left** to right. With A, P14 (15). Chart I is now in position.  
Cont working Chart I until row 6 is completed.

**Next row:** (RS). With A, K12 (13). K2tog. Work 7th row of Chart I. With A, K10 (11). 42 (44) sts.

**Next row:** With A, P10 (11). Work 8th row of Chart I. With A, P13 (14).

**Next row:** With MC, K12 (13). Work 9th row of Chart I. With MC, K10 (11).

**Next row:** With MC, P10 (11). Work 10th row of Chart I. With MC, P12 (13).

**Next row:** With MC, K10 (11). K2tog. Work 11th row of Chart I. With MC, K10 (11). 40 (42) sts.

Cont working Chart I until row 14 of chart is completed.

**Next row:** (RS). With MC, K9 (10). K2tog. Work 15th row of Chart I. With MC, K10 (11). 38 (40) sts.

**Next row:** With MC, P10 (11). Work 16th row of Chart I. With MC, P10 (11).

**Sizes 18 mos, 2 and 3 yrs only: Next row:** (RS). With A, K15. Work 1st row of Chart II, reading row from **right** to left and noting 22 st rep will be worked once. With A, K11.

**Next row:** With A, P11. Work 2nd row of Chart II, reading row from **left** to right. With A, P15.  
Chart II is now in position.

Cont working Chart II until row 4 of chart is completed.

**Next row:** (RS). With A, K13. K2tog. Work 5th row of Chart III. With A, K11. 46 sts.

**Next row:** With A, P11. Work 6th row of Chart II. With A, P14.

Cont working Chart II until row 9 of chart is completed.

**Next row:** (WS). With MC, P11. Work 10th row of Chart II. With MC, P14.

**Next row:** With MC, K12. K2tog. Work 11th row of Chart II. With MC, K11. 44 sts.

**Next row:** With MC, P11. Work 12th row of Chart II. With MC, P13.

Cont working Chart II until row 16 of chart is completed.

**Next row:** (RS). With MC, K11. K2tog. Work 17th row of Chart II. With MC, K11. 42 sts.

**Next row:** With MC, P11. Work 18th row of Chart II. With MC, P12.

**All Sizes: Next row:** (RS). K2tog. Knit to last 2 sts. Sl1. K1. pss0. 36 (38-40-40-40) sts.

With MC, cont in stocking st inc 1 st each end of needle on 3rd and every following 4th (6th-6th-6th-8th) row to 46 (48-50-50-52) sts. Cont even until work from beg measures 6¼ (7½-8-9-10½) ins [16 (19-20.5-23-26.5) cm], ending with RS facing for next row.

**Shape top:** Cast off 3 (3-4-4-4) sts beg next 2 rows. 40 (42-42-42-44) sts.

**Next row:** (RS). K2. Sl1. K1. pss0. Knit to last 4 sts. K2tog. K2.

**Next row:** Purl.  
Rep last 2 rows 4 (5-5-5-6) times more. 30 sts.

**Next row:** K2. Sl1. K1. pssso. Knit to last 4 sts. K2tog. K2.

**Next row:** P2. P2tog. Purl to last 4 sts. P2togtbl. P2.

Rep last 2 rows once more. 22 sts.

Cast off 2 sts beg next 4 rows. Cast off rem 14 sts.

## FINISHING

**Neckband:** Sew right shoulder seam. With RS of work facing, MC and smaller needles, pick up and knit 21 (25-30-33-33) sts down left front neck edge. Pick up and knit 21 (25-30-33-33) sts up right front neck edge. Pick up and knit 3 sts down back neck shaping. K14 (14-16-16-16) from back st holder. Pick up and knit 3 sts up back neck shaping. 62 (70-82-88-88) sts.

**1st row:** (WS). Knit to center 4 sts. K2togtbl. K2tog. Knit to end of row.

**2nd row:** With A, knit to center 4 sts. Sl1. K1. pssso. K2tog. Knit to end of row. With A, cast off, dec as before.

**Left shoulder buttonhole band:** With RS of work facing, smaller needles and MC, pick up and knit 12 (13-14-16-17) sts along left front shoulder and side of Neckband.

**Next row:** (WS). Knit.

**Next row:** (Buttonhole row). K2. yfwd. K2tog. K4 (5-6-8-9). yfwd. K2tog. K2. Cast off knitwise (WS).

Sew butterfly in position. Embroider running st under butterfly as illustrated. Embroider antennae with stem st. Sew in sleeves. Sew side and sleeve seams. Sew buttons to correspond to buttonholes.

## BUTTERFLY

**First Wing:** \*\*With smaller needles and A, cast on 3 sts.

**1st row:** (WS). Cast off 2 sts. 1 st.

**2nd row:** (K1. yfwd. K1) all in one st. 3 sts.

**3rd row:** Knit.

**4th row:** (K1. M1) twice. K1. 5 sts.\*\* Break yarn.

**Second Wing:** Rep from \*\* to \*\* as given for First Wing. **Do not** break yarn.

**Join Wings: Next row:** (RS). K1. M1. Knit to last st. M1. K1. 12 sts.

**2nd row:** Knit.

**3rd row:** Sl1. K1. pssso. (K3. K2tog) twice. 9 sts.

**4th row:** Sl1. K1. pssso. Knit to last 2 sts. K2tog. 7 sts.

**5th row:** Inc 1 st in first st. Knit to last 2 sts. Inc 1 st in next st. K1.

Rep last row 4 times more. 17 sts.

Knit 3 rows even.

**Shape top of Wings: Next row:** (RS). K8. **Turn.** Leave rem sts on a spare needle.

**Next row:** Knit.

**Next row:** K6. K2tog.

**Next row:** Knit.

**Next row:** Sl1. K1. pssso. K3. K2tog.

**Next row:** Sl1. K1. pssso. K1. K2tog. Cast off.

With RS of work facing, join MC to rem sts. Sl1. K1. pssso. Knit to end of row.

**Next row:** (WS). Knit.

**Next row:** Sl1. K1. pssso. Knit to end of row.

**Next row:** Knit.

**Next row:** Sl1. K1. pssso. K3. K2tog.

**Next row:** Sl1. K1. pssso. K1. K2tog. Cast off.

## PANTS

### RIGHT LEG

\*\*\*With smaller needles and A, cast on 73 (77-79-81-83) sts. Work 3 rows garter st, noting 1st row is WS.

Change to larger needles and work 4 rows in stocking st.

**Sizes 6 and 12 mos only: Next row:** (RS). With A, K8 (10). Work 1st row of Chart II, noting 20 st rep will be worked 3 times. With A, K5 (7).

**Next row:** With A, P5 (7). (Work 2nd row of Chart I) 3 times. With A, P8 (10).

Chart I is now in position.

Cont working Chart I until row 6 is completed.

**Next row:** (RS). With A, K6 (8). K2tog. (Work 7th row of Chart I) 3 times. With A, K5 (7). 69 (73) sts.

**Next row:** With A, P5 (7). (Work 8th row of Chart I) 3 times. With A, P7 (9).

**Next row:** With MC, K7 (9). (Work 9th row of Chart I) 3 times. With MC, K5 (7).

**Next row:** With MC, P5 (7). (Work 10th row of Chart I) 3 times. With MC, P7 (9).

**Next row:** With MC, K5 (7). K2tog. (Work 11th row of Chart I) 3 times. With MC, K5 (7). 65 (69) sts.

Cont working Chart I until row 14 of chart is completed.

**Next row:** (RS). With MC, K4 (6). K2tog. (Work 15th row of Chart I) 3 times. With MC, K5 (7). 61 (65) sts.

**Next row:** With MC, P5 (7). (Work 16th row of Chart I) 3 times. With MC, P5 (7).

**Next row:** With MC, Sl1. K1. pss0. [K9 (7). K2tog] 4 (6) times. K13 (7). K2tog. 55 (57) sts.

**Next row:** Purl.

**Sizes 18 mos, 2 and 3 yrs only: Next row:** (RS). With A, K(8-9-10). Work 1st row of Chart II, noting 22 st rep will be worked 3 times. With A, K(5-6-7).

**Next row:** With A, P(5-6-7). (Work 2nd row of Chart II) 3 times. With A, P(8-9-10).

Chart II is now in position.

Cont working Chart II until row 4 of chart is completed.

**Next row:** (RS). With A, K(6-7-8). K2tog. (Work 5th row of Chart II) 3 times. With A, K(5-6-7). (75-77-79) sts.

Cont working Chart II until row 9 of chart is completed.

**Next row:** (WS). With MC, P(5-6-7). (Work 10th row of Chart II) 3 times. With MC, P(7-8-9).

**Next row:** With MC, K(5-6-7). K2tog. (Work 11th row of Chart II) 3 times. With MC, K(5-6-7). (71-73-75) sts. Cont working Chart II until row 16 of chart is completed.

**Next row:** (RS). With MC, K(4-5-6). K2tog. (Work 17th row of Chart II) 3 times. With MC, K(5-6-7). (67-69-71) sts.

**Next row:** With MC, P(5-6-7). (Work 18th row of Chart II) 3 times. With MC, P(5-6-7).

**Next row:** With MC, Sl1. K1. pss0. [K(8-9-9). K2tog] 5 times. K(13-10-12). K2tog. (60-62-64) sts.

**Next row:** Purl.

**All Sizes:** With MC, cont even in stocking st until work from beg measures 3 (3½-4-5-7) ins [7.5 (9-10-12.5-18) cm], ending with RS facing for next row.

**Shape inseam:** Inc 1 st each end of needle on next and following 4th rows until there are 69 (67-70-74-82) sts, then on following alt rows to 71 (77-84-86-86) sts.

Work 1 row even.

**Shape crotch:** Cast off 4 sts beg next 2 rows. 63 (69-76-78-78) sts. Dec 1 st each end of needle on next and following alt rows 3 times. 55 (61-68-70-70) sts. Place a marker at end of last row.

Cont even in stocking st until work from marker measures 5 (5½-6-6½-7) ins [12.5 (14-15-16.5-18) cm], ending with RS facing for next row.\*\*\*

**1st row:** (RS). Knit.

**2nd row:** P40 (45-50-50-53). **Turn.** Leave rem sts unworked.

**3rd and alt rows:** Sl1K. Knit to end of row.

**4th row:** P30 (35-40-40-43). **Turn.** Leave rem sts unworked.

**6th row:** P20 (25-30-30-33). **Turn.** Leave rem sts unworked.

**8th row:** P10 (15-20-20-23). **Turn.** Leave rem sts unworked.

**10th row:** Purl across all sts. Change to smaller needles and work 14 rows in stocking st. Cast off.

## LEFT LEG

Work from \*\*\* to \*\*\* as given for Right Leg.

**1st row:** (RS). K40 (45-50-50-53). **Turn.** Leave rem sts unworked.

**2nd and alt rows:** Sl1P. Purl to end of row.

**3rd row:** K30 (35-40-40-43). **Turn.** Leave rem sts unworked.

**5th row:** K20 (25-30-30-33). **Turn.** Leave rem sts unworked.

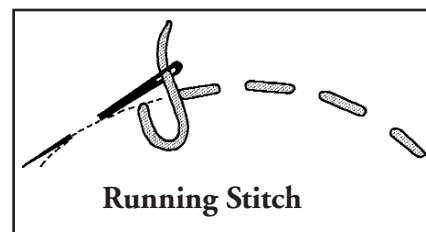
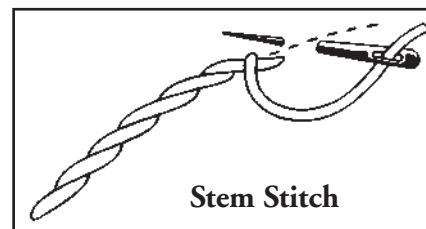
**7th row:** K10 (15-20-20-23). **Turn.** Leave rem sts unworked.

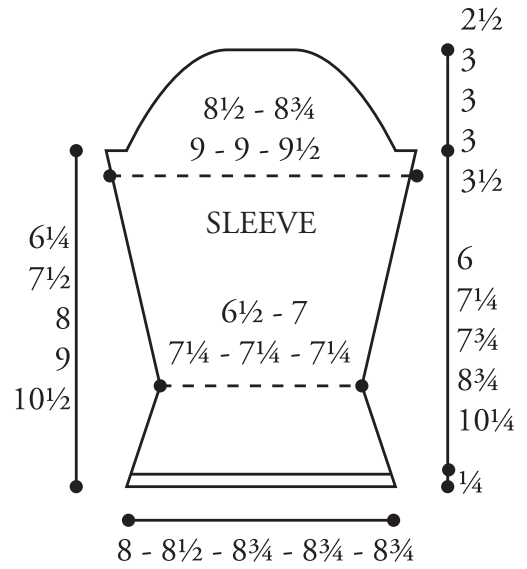
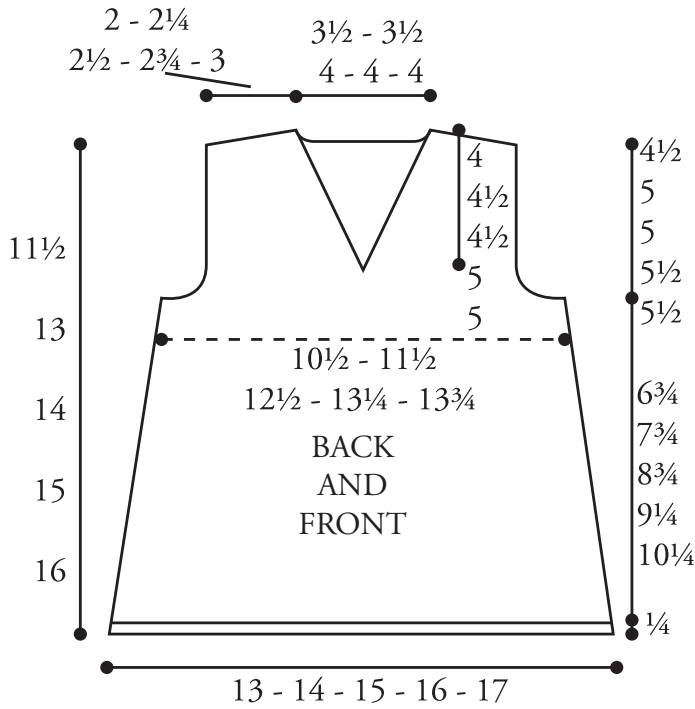
**9th row:** Knit across all sts.

Change to smaller needles and beg with a purl row, work 15 rows in stocking st. Cast off.

## FINISHING

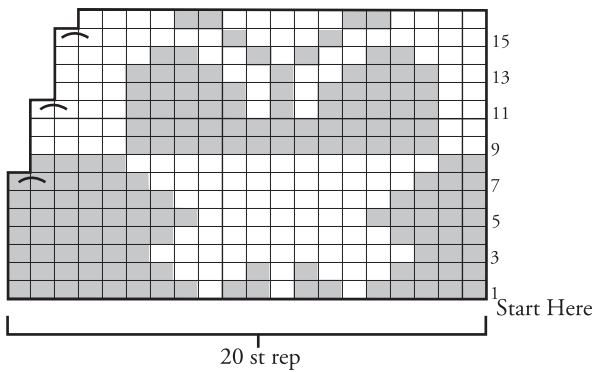
Embroider running st as illustrated. Sew inseams. Sew crotch seam. Fold waistband in half to WS and sew in position leaving an opening at center back to insert elastic. Cut elastic to waist measurement and draw through waistband. Sew ends of elastic tog securely. Sew opening closed. Make 1 Butterfly as given for Tunic and sew in position. Embroider antennae with stem st.



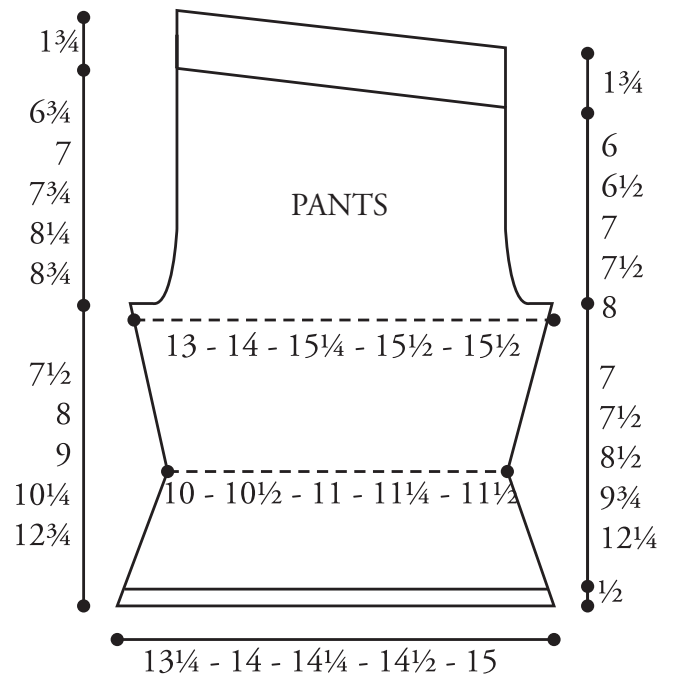
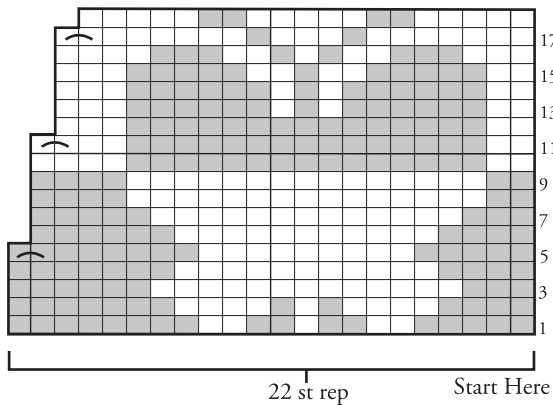


10 - 11 - 12<sup>1</sup>/<sub>4</sub> - 12<sup>1</sup>/<sub>2</sub> - 12<sup>1</sup>/<sub>2</sub>




**CHART I**



**CHART II**



**Key**

-  = MC
-  = Contrast A
-  = K2tog

**Patons**

*... a part of your life.*

P.O. Box 40, Listowel ON N4W 3H3