



KNIT | SKILL LEVEL: EASY

ABBREVIATIONS

Alt = Alternate

Approx =
Approximately

Beg = Begin(ning)

Inc = Increasing

K = Knit

K2tog = Knit next
2 stitches together

K2togtbl = Knit next
2 stitches together
through back of
loops

M1P = Make 1

stitch by picking up
horizontal loop lying
before next stitch
and purling into back
of loop

P = Purl

P2tog = Purl next
2 stitches together

P2togtbl = Purl next
2 stitches together
through back of
loops

PM = Place marker

Rem = Remain(ing)

Rep = Repeat

RS = Right side

St(s) = Stitch(es)

WS = Wrong side

SIZES

To fit bust/chest measurement

XS/XL 28-46" [71-117 cm]

2/5XL 48-62" [122-157.5 cm]

Finished bust/chest measurement

XS/XL 64" [162.5 cm]

2/5XL 84" [213.5 cm]

GAUGE

8 sts and 13 rows = 4" [10 cm] in
stocking st.

INSTRUCTIONS

The instructions are written for smaller size. If changes are necessary for larger size the instruction will be written thus (). Numbers for each size are shown in the same color throughout the pattern. When only one number is given in black, it applies to both sizes.

Notes:

- Hoodie is worked in 5 pieces and seamed together in Finishing.
- Hood is knit onto live sts in Finishing.

MATERIALS

Bernat® Blanket™ (10.5 oz/300 g; 220 yds/201 m)

Sizes	XS/XL	2/5XL
Lagoon (10896)	5 balls or	7 balls or
	998 yds/913 m	1385 yds/1266 m

Size U.S. 11 (8 mm) circular knitting needle 36" [91.5 cm] long **or size needed to obtain gauge.** 3 stitch holders. 4 stitch markers. Yarn needle.

BACK

Cast on **64 (84) sts.

1st row: (RS). *K1. P1. Rep from * to end of row.

Rep last row of (K1. P1) ribbing 5 times more.**

Beg on a knit row, proceed in stocking st until work from beg measures **35 (38)" [89 (96.5) cm]**, ending on a purl row.

Shape shoulders: Next row: (RS). Cast off **22 (30)** sts. Knit next **20 (24)** sts (including st rem on needle after cast-off) and place onto st holder for Hood. Cast off last **22 (30)** sts.

FRONT

Work from ** to ** as given for Back.

Beg on a knit row, proceed in stocking st until work from beg measures **27 (28½)" [68.5 (72.5) cm]**, ending on a purl row.

Next row: (RS). K**28 (38)**. P8. K**28 (38)**.

Next row: P**28 (38)**. K8. P**28 (38)**.

Rep last 2 rows 5 times more.

Shape Left Front Neck: 1st row: (RS). K**28 (38)**. P4 (Hood edge). **Turn.** Leave rem **32 (42)** sts on a spare needle.

2nd row: (WS). K4. P**28 (38)**.

3rd row: K**28 (38)**. P4.

Rep last 2 rows until work from beg measures **35 (38)" [89 (96.5) cm]**, ending on a WS row.

Shape shoulder: Next row: (RS). Cast off first **22 (30)** sts. Knit to last 4 sts. P4. Place last **10 (12)** sts just worked onto st holder for Hood.

Shape Right Front Neck: 1st row: (RS). Join yarn to rem sts on spare needle. P4 (Hood edge). K**28 (38)**.

2nd row: (WS). P**28 (38)**. K4.

3rd row: P4. K**28 (38)**.

Rep last 2 rows until work from beg measures **35 (38)" [89 (96.5) cm]**, ending on a WS row.

Shape shoulder: Next row: (RS). P4. K**6 (8)**. Place last **10 (12)** sts just worked onto st holder for Hood. Cast off rem **22 (30)** sts.

SLEEVES

Cast on **20 (24)** sts.

1st row: (RS). *K1. P1. Rep from * to end of row.

Rep last row of (K1. P1) ribbing 5 times more.

Beg on a knit row, proceed in stocking st, inc 1 st each end of first row and every following RS (knit) row until there are **56 (64)** sts.

Purl 1 row.

Cast off.

FINISHING

Sew shoulder seams. PM **14 (16)" [35.5 (40.5) cm]** down from shoulders on side edges. Sew in sleeves between markers. Sew side and sleeve seams.

HOOD

1st row: (RS). Beg at right front neck, [P4. K**6 (8)**] from right front neck st holder. K**20 (24)** from back st holder. [K**6 (8)**. P4] from left front neck st holder. PM at end of row. **40 (48)** sts.

2nd row: K4. P**2 (3)**. M1P. *P**4 (5)**. M1P. Rep from * 6 times more. P2. K4. **48 (56)** sts.

3rd row: P4. Knit to last 4 sts. P4.

4th row: K4. Purl to last 4 sts. K4.

Rep last 2 rows until Hood from marker measures **14 (17)" [35.5 (43) cm]**, ending on a WS row.

Next row: P4. K**18 (22)**. K2togtbl. K2tog. K**18 (22)**. P4. **46 (54)** sts.

Next row: K4. Purl to last 4 sts. K4.

Next row: P4. K**17 (21)**. K2togtbl. K2tog. K**17 (21)**. P4. **44 (52)** sts.

Next row: K4. Purl to last 4 sts. K4. Cast off.

Fold Hood in half and sew top seam.

POCKET

Cast on **36 (40)** sts.

Work 10 rows in stocking st.

11th row: (RS). P4. K**28 (32)**. P4.

Size XS/XL only: 12th row: K4. P2tog. Purl to last 6 sts. P2togtbl. K4. 34 sts

13th row: P4. Knit to last 4 sts. P4.

14th row: K4. Purl to last 4 sts. K4.

15th row: P4. K2togtbl. Knit to last 6 sts. K2tog. P4. 32 sts.

16th row: As 14th row.

17th to 19th rows: As 13th to 15th rows. 30 sts.

20th row: As 14th row.

21st row: As 13th row.

22nd to 24th rows: As 12th to 14th rows. 28 sts.

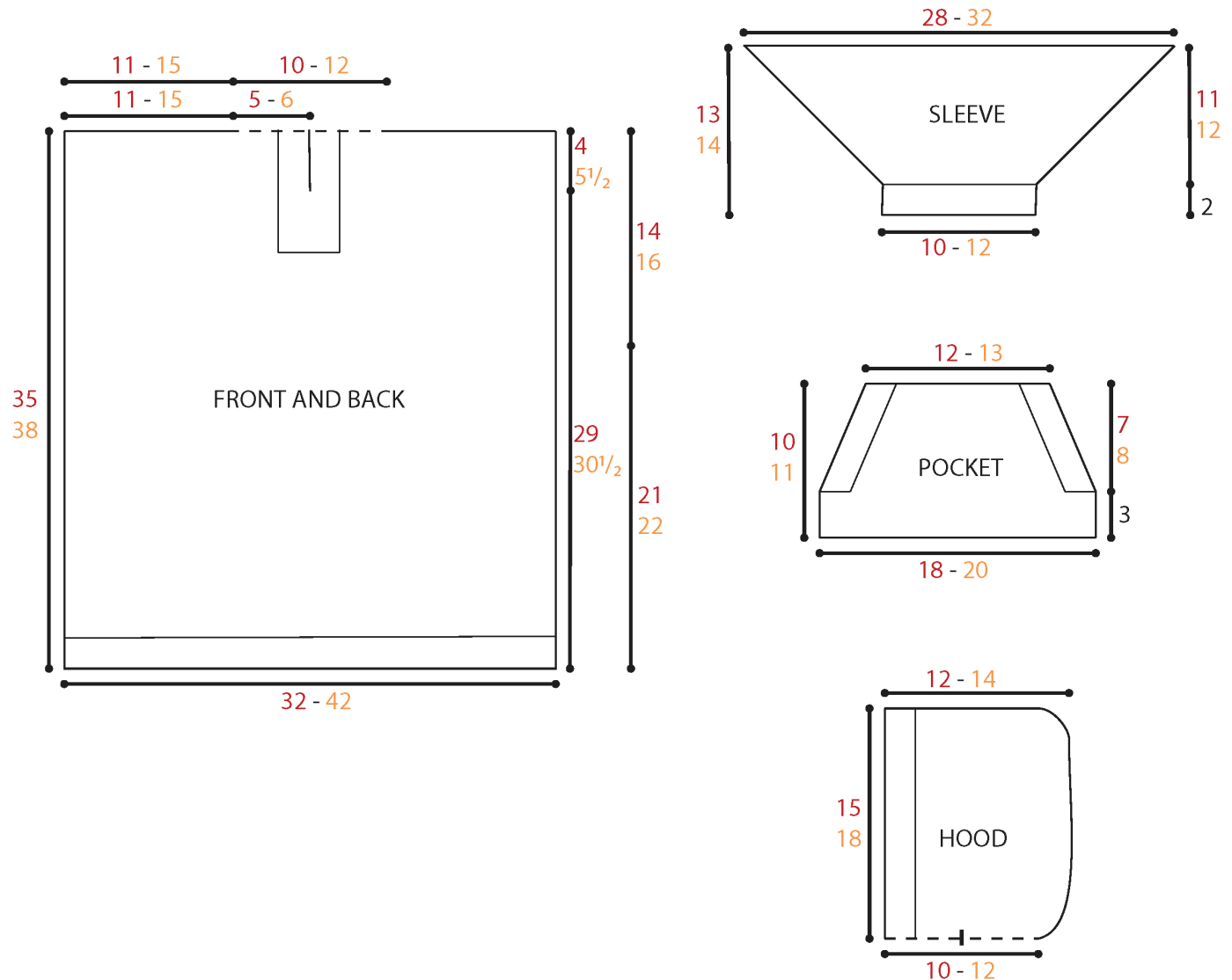
25th row: As 13th row.

26th to 32nd rows: Rep 12th to 18th rows once. 24 sts.

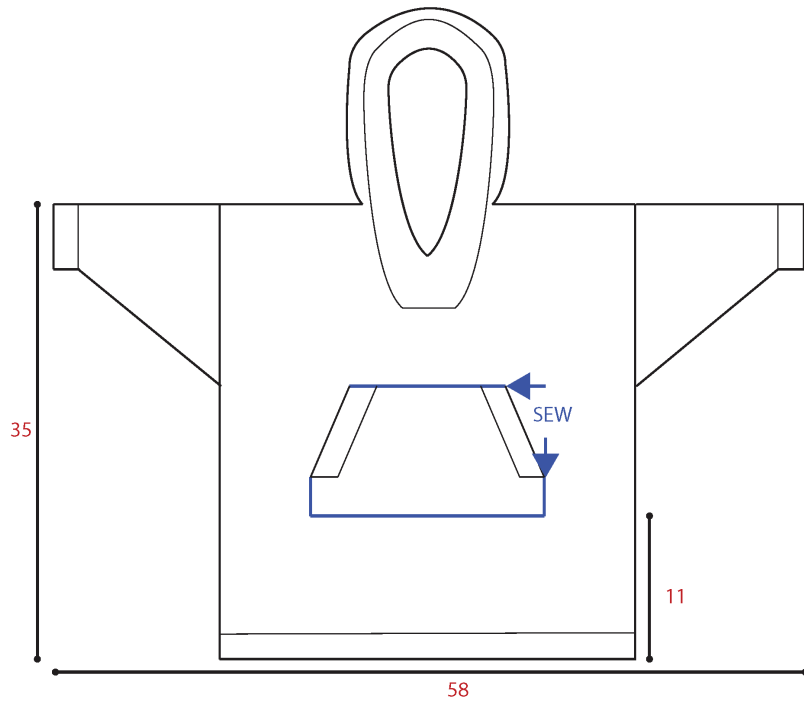
Cast off.

Size 2/5XL only: 12th row: K4. P32. K4.
13th row: P4. K32. P4.
14th row: K4. P2tog. Purl to last 6 sts. P2togtbl. K4. 38 sts.
15th row: P4. Knit to last 4 sts. P4.
16th row: K4. Purl to last 4 sts. K4.
17th row: P4. K2togtbl. Knit to last 6 sts. K2tog. P4. 36 sts.
18th row: As 16th row.
19th row: As 15th row.
20th to 34th rows: Rep 14th to 19th rows twice more, then rep 14th to 16th rows once. 26 sts.
35th and 36th rows: As 15th and 16th rows.
 Cast off.

Both Sizes: Sew Pocket in position centered across Front and 11" [28 cm] above bottom edge (see diagram on page 4).



XS/XL



2/5XL

