



**BERNAT® HANDICRAFTER COTTON
SUMMER TOTES (CROCHET)**

FINISHED SIZE

Approx 18 x 17 ins [45.5 x 43 cm].

MATERIALS

Bernat® Handicrafter Cotton

VERSION A

Solids (400 g / 14 oz) **1 ball:** #00002 (Off White)

OR Solids (50 g / 1.75 oz) **9 balls:** #00002 (Off White)

VERSION B

Ombres / Prints (340 g / 12 oz) **2 balls**

#33013 (Chocolate Ombre) or #33018 (Sonoma Print)

OR Ombres / Prints (42.5 g / 1.5 oz) **10 balls**

#23014 (Chocolate Ombre) or #23018 (Sonoma Print)

Size 4 mm (U.S. G or 6) crochet hook **or size needed to obtain gauge.** 3¼ yds [3 m] of cord ⅜ inch [9.5 mm] in diameter.

ABBREVIATIONS: www.bernat.com/glossary

GAUGE

15 sc and 16 rows = 4 ins [10 cm].

INSTRUCTIONS

Body (make 1 piece).

Note: Turning ch 2 does not count as stitch.

Ch 77.

1st row: (RS). 1 hdc in 3rd ch from hook. 1 hdc in each ch to end of ch. Turn. 75 hdc.

2nd row: Ch 1. 1 sc in each hdc to end of row. Turn.

3rd row: Ch 2. 1 hdc in each sc to end of row. Turn.

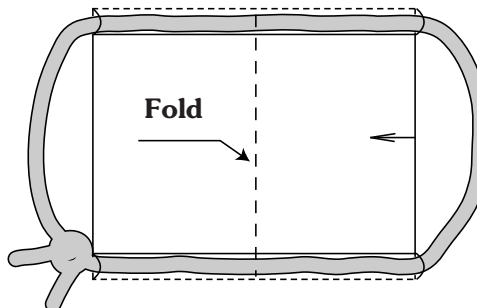
Rep last 2 rows until work from beg measures 36 ins [91.5 cm], ending with a 3rd row. Fasten off.

FINISHING

Fold side edges 1 inch [2.5 cm] to WS for casing and sew in position (see diagram).

Thread cord through casing as shown in diagram. Fold Bag in half, having WS of front and back tog. Sew side seams leaving casing free. Pull cord to gather casing. Knot ends.

Diagram



P.O. Box 40 Listowel ON N4W 3H3
"home style... life style... your style."