

# Patons® Classic Wool

## Patons® DECOR



### SIMPLE PLEASURES

#### SIZES

#### Bust/chest measurement

<b>Small</b>	30-32 ins [76-81 cm ]
<b>Medium</b>	34-36 ins [86-91 cm ]
<b>Large</b>	38-40 ins [97-102cm]
<b>Extra-Large</b>	42-44 ins [107-112cm ]

#### Finished bust/chest

<b>Small</b>	42 ins [107 cm ]
<b>Medium</b>	45 ins [114.5 cm ]
<b>Large</b>	48 ins [122 cm ]
<b>Extra-Large</b>	51 ins [129.5 cm ]

#### MATERIALS

Patons Classic Wool (100 g/3.5 oz)  
or Patons Décor (100 g/3.5 oz)

**Size**      **S**   **M**   **L**   **XL**

**Main color (MC)** (Green) or (Grey)  
**7 7 8 8 balls**

**Contrast A** (Grey) or (Green)

**1 1 2 2 ball(s)**

Sizes 4 mm (U.S. 6), 4.5 mm (U.S. 7) and 5 mm (U.S. 8) knitting needles **or size needed to obtain tension**. 2 st holders.

#### TENSION

20 sts and 26 rows = 4 ins [10 cm]  
with 4.5 mm needles in stocking st.

#### INSTRUCTIONS

*The instructions are written for smallest size. If changes are necessary for larger sizes the instructions will be written thus ( ).*

**Note:** When working from charts, carry yarn not in use loosely across WS of work but never over more than 5 sts. When it must pass over more than 5 sts, weave it over and under color in use on next st or at center point of sts it passes over. The colors are never twisted around one another.

#### FRONT

\*\*With MC and 4 mm needles cast on 105 (**113-117-125**) sts.

**1st row:** (RS). K1. \*P1. K1. Rep from \* to end of row.

**2nd row:** P1. \*K1. P1. Rep from \* to end of row.

Rep these 2 rows (K1. P1) ribbing for 2½ ins [6 cm] ending on a 2nd row and inc 6 (**6-1-1**) sts evenly across last row. 111 (**119-118-126**) sts.

Change to 4.5 mm needles and proceed as follows:

**Sizes L and XL only:** Proceed in box pat as follows:

**1st row:** (RS). Knit.

**2nd row:** Purl.

**3rd row:** K2. \*P2. K2. Rep from \* to end of row.

**4th row:** P2. \*K2. P2. Rep from \* to end of row.

**5th row:** P2. \*K2. P2. Rep from \* to end of row.

**6th row:** K2. \*P2. K2. Rep from \* to end of row.

**7th row:** As 3rd row.

**8th row:** As 4th row.

**9th row:** Knit.

**10th row:** Purl, inc 7 sts evenly across. (**125-133**) sts.

**Sizes S and M only: 1st row:** (RS). Knit.

**2nd row:** Purl.



ABBREVIATIONS: [www.patonsyarns.com/glossary](http://www.patonsyarns.com/glossary)

Patons®

... a part of your life.

P.O. Box 40, Listowel ON N4W 3H3

**All Sizes:** Proceed in fair isle and texture pat as follows:

**1st to 9th rows:** With 5 mm needles, work Chart I in stocking st to end of chart reading **knit** rows from **right** to left and **purl** rows from **left** to right.

Change to 4.5 mm needles.

**10th row:** With MC, purl.

**11th row:** Knit, dec 5 (5-7-7) sts evenly across. 106 (114-118-126) sts.

**12th row:** Purl.

**13th row:** K2. \*P2. K2. Rep from \* to end of row.

**14th row:** P2. \*K2. P2. Rep from \* to end of row.

**15th row:** P2. \*K2. P2. Rep from \* to end of row.

**16th row:** K2. \*P2. K2. Rep from \* to end of row.

**17th row:** As 13th row.

**18th row:** As 14th row.

**19th row:** Knit.

**20th row:** Purl, inc 5 (5-7-7) sts evenly across. 111 (119-125-133) sts.

These 20 rows form fair isle and texture pat.

Rep last 20 rows 3 times more.

With 5 mm needles, work Chart II in stocking st to end of chart reading **knit** rows from **right** to left and **purl** rows from **left** to right.\*\*

Change to 4.5 mm needles.

Beg with a 10th row, proceed in fair isle and texture pat for 15 rows, ending on 4th row of Chart I.

**Neck shaping: Next row:** Keeping cont of Chart I, pat across 47 (50-53-56) sts (neck edge). **Turn.** Leave rem sts on a spare needle.

Keeping cont of chart, dec 1 st at neck edge on next 4 rows. 43 (46-49-52) sts.

**Next row:** With MC, purl dec 2 (2-3-3) sts evenly across. 41 (44-46-49) sts.

Beg with an 11th row, proceed in fair isle and texture pat dec 1 st at neck edge on next and following 4 alt rows, thus ending on a 19th row of pat. 36 (39-41-44) sts.

**Next row:** With MC, purl inc 2 (2-3-3) sts evenly across. 38 (41-44-47) sts.

**Sizes S and M only:** With 5 mm needles, work rows 1 to 2 (4) of Chart I.

**Sizes L and XL only: Next row:** With 5 mm needles, work 1st row of Chart I to last 2 sts. Work 2tog. (43-46) sts.

Work rows 2 to (4-6) of Chart I.

**All Sizes: Shoulder shaping:**

Keeping cont of chart, cast off 13 (14-14-15) sts beg next and following alt row. Work 1 row even. Cast off rem 12 (13-15-16) sts.

With RS of work facing slip next 17 (19-19-21) sts from spare needle onto a st holder. Join yarn to rem sts and pat to end of row.

Keeping cont of chart, dec 1 st at neck edge on next 4 rows. 43 (46-49-52) sts.

Change to 4.5 mm needles.

**Next row:** With MC, purl dec 2 (2-3-3) sts evenly across. 41 (44-46-49) sts.

Beg with an 11th row, proceed in fair isle and texture pat dec 1 st at neck edge on next and following 4 alt rows, thus ending on a 19th row of pat. 36 (39-41-44) sts.

**Next row:** With MC, purl inc 2 (2-3-3) sts evenly across. 38 (41-46-49) sts.

**Sizes S and M only:** With 5 mm needles, work rows 1 to 3 (5) of Chart I.

**Sizes L and XL only: Next row:** With 5 mm needles, work 2tog. Work 1st row of Chart I to end of row. (43-46) sts.

Work rows 2 to (5-7) of Chart I.

**All Sizes: Shoulder shaping:**

Keeping cont of chart, cast off 13 (14-14-15) sts beg next and following alt row. Work 1 row even. Cast off rem 12 (13-15-16) sts.

**BACK**

Work from \*\* to \*\* as given for Front.

Change to 4.5 mm needles and beg with a 10th row, proceed in fair isle and texture pat until work from beg measures same length as Front to beg of shoulder shaping, ending on row 2 (4-4-6) of Chart I.

**Shoulder shaping:** Cast off 13 (14-14-15) sts beg next 4 rows, then 12 (13-15-16) sts beg following 2 rows. Leave rem 35 (37-39-41) sts on a st holder.

**SLEEVE PATTERN**

**1st row:** K2. \*P2. K2. Rep from \* to end of row.

**2nd row:** P2. \*K2. P2. Rep from \* to end of row.

**3rd row:** P2. \*K2. P2. Rep from \* to end of row.

**4th row:** K2. \*P2. K2. Rep from \* to end of row.

**5th row:** As 1st row.

**6th row:** As 2nd row.

**7th row:** Knit.

**8th row:** Purl.

These 8 rows form sleeve pat.

**SLEEVES**

With MC and 4 mm needles cast on 45 (47-51-53) sts. Work 2½ ins [6 cm] in (K1. P1) ribbing as given for Front ending on a 2nd row and inc 20 (18-18-16) sts evenly across last row. 65 (65-69-69) sts.

Change to 4.5 mm needles and proceed as follows:

**1st row:** (RS). Knit.

**2nd row:** Purl.

**3rd to 11th rows:** With 5 mm needles, work Chart I in stocking to end of chart reading **knit** rows from **right** to left and **purl** rows from **left** to right.

Change to 4.5 mm needles.

**12th row:** With MC, purl, inc 1 st in center. 66 (66-70-70) sts.

**13th row:** Knit.

**14th row:** Purl.

Proceed in sleeve pat inc 1 st each end of needle on 3rd and following 4th rows until there are 76 (86-92-100) sts, then every following 6th row until there are 96 (100-106-110) sts taking inc sts into sleeve pat.

Cont even until work from beg measures 18 (18½-19½-20) ins [45.5 (47-49.5-51) cm] ending with RS facing for next row. Cast off.

**FINISHING**

Pin garment pieces to measurements and press lightly with a damp cloth leaving to dry on garment pieces.

**Neckband:** Sew right shoulder seam. With RS of work facing, MC and smaller needles, pick up and knit 21 (23-23-25) sts down left front neck edge. Knit across 17 (19-19-21) sts from front st holder. Pick up and knit 21 (23-23-25) sts up right front neck edge. Knit across 35 (37-39-41) sts from back st holder dec 1 st at center. 93 (101-103-111) sts.

Beg and ending on a 2nd row, work 3½ ins [9 cm] in (K1. P1) ribbing as given for Front. Cast off in ribbing. Sew left shoulder and neckband seam. Fold neckband in half to WS and sew loosely in position.

Place markers on front and back side edges 9½ (10-10½-11) ins [24 (25.5-26.5-28) cm] down from shoulder seams. Sew in sleeves between markers. Sew side and sleeve seams. Press seams.

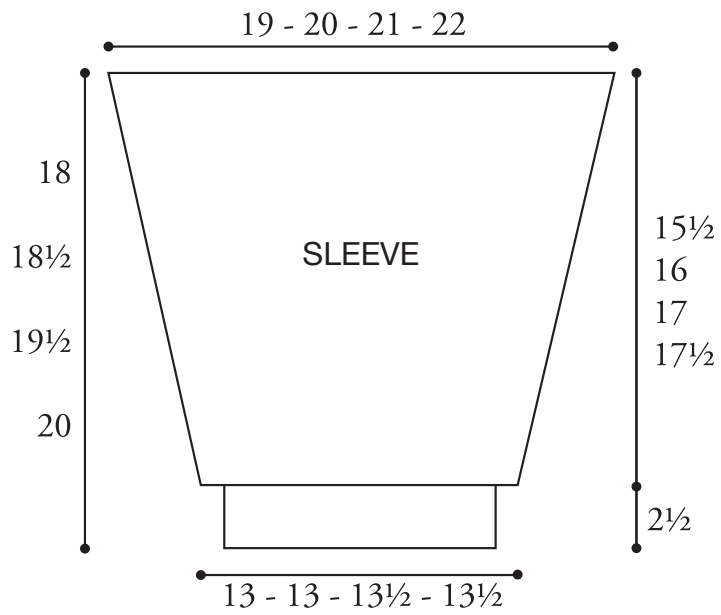
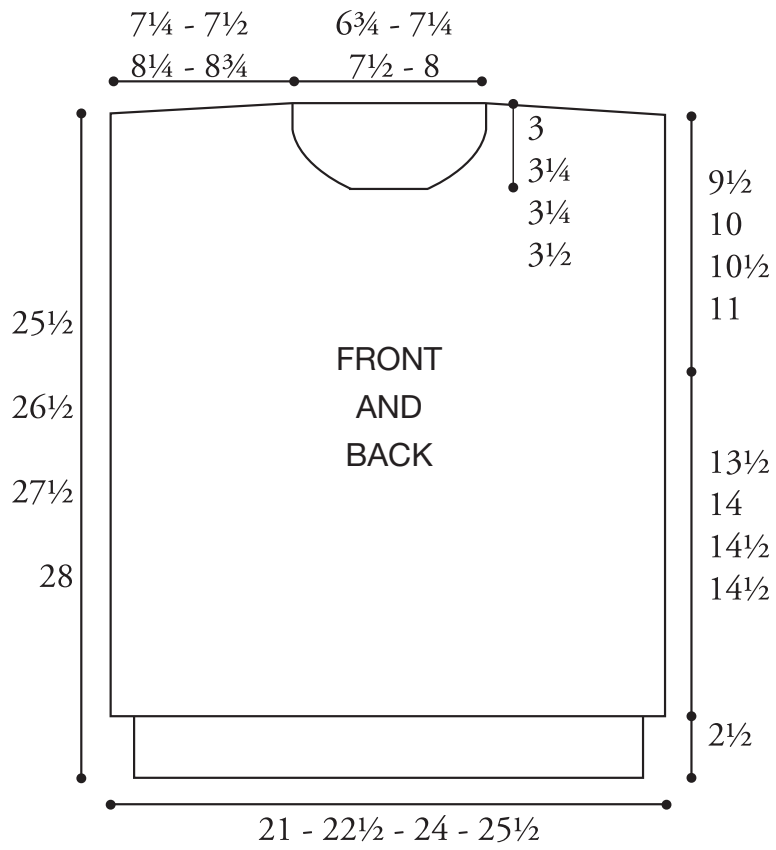
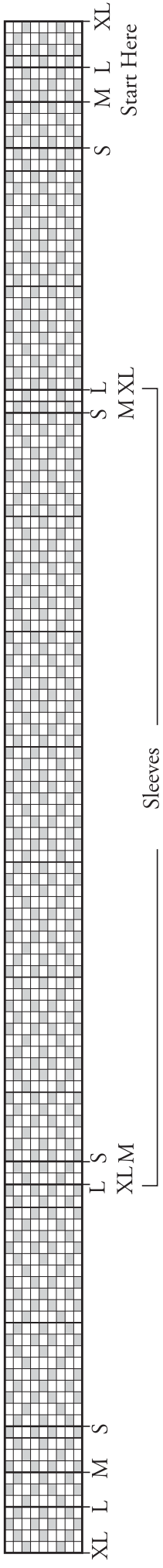


CHART I



Key  
 □ = MC  
 ■ = Contrast A

CHART II

