



AN ITALIAN STORY

Ora[™]



LATTE CLASSICO HAT

KNITTING



WHAT YOU NEED

Ora: 2 balls 5100 Latte

Susan Bates® Knitting Needles: 12.75mm [US 17]

Susan Bates® Easy Pom Pom Maker: 3" (7.5 cm) diameter

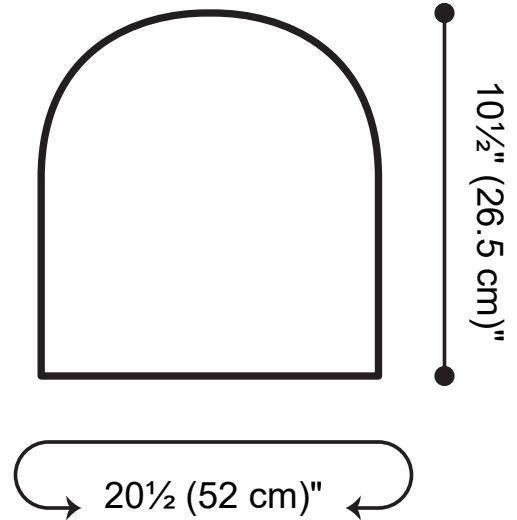
Yarn needle

GAUGE: 7 sts = 4" (10 cm); = 9 rows 4" (10 cm) in Stockinette st (knit on right side, purl on wrong side). **CHECK YOUR GAUGE.** Use any size needles to obtain the gauge.

BUY YARN



RED HEART® Ora™: Art. R183, available in 3½ oz (100g), 52 yd (48m) balls.



Designed by Italian Story Design Team

Hat measures 20½" (52 cm) in circumference and 10½" in height, not including pom pom.

HAT

Cast on 38 sts.

Work 20 rows in Stockinette st, beginning with a right side (knit) row and ending after a wrong side (purl) row.

Shape Crown

Row 1 (dec row, right side): K3, k2tog, [k2, k2tog] 8 times, k1 – 27 sts.

Row 2 (dec row, wrong side): P1, [p2tog, p1] 9 times, p1 – 18 sts.

Row 3 (dec row, right side): K2tog 9 times – 9 sts.

Cut yarn leaving a long tail.

Use yarn needle to thread tail through all remaining sts, and pull tight.

FINISHING

Sew vertical seam using mattress st.

Make pom pom and sew to top of Hat.

Weave in all loose ends.

ABBREVIATIONS

dec = decrease; **k** = knit; **k2tog** = knit next 2 sts together; **p** = purl; **p2tog** = purl next 2 sts together; **st(s)** = stitch(es); **[]** = work directions in brackets the number of times specified.

See schematic on next page...