



## MATERIALS

**Patons® Classic Wool Roving™** (3.5 oz/100 g; 120 yds/109 m)  
Aran (77008) **1 ball**

Size U.S. J/10 (6 mm) crochet hook **or size needed to obtain gauge.**

## ABBREVIATIONS

**Approx** = Approximately

**Beg** = Begin(ning)

**Ch** = Chain(s)

**Cont** = Continue

**Hdc** = Half double crochet

**HdcCluster** = (Yoh and draw up a loop in horizontal bar only, created by hdc at front of work)

twice in next st. Yoh and draw through all 5 loops on hook

**Pat** = Pattern

**Rep** = Repeat

**RS** = Right side

**Sc** = Single crochet

**St(s)** = Stitches

**Tog** = Together

**WS** = Wrong side

 CROCHET | SKILL LEVEL: **EASY**

## SIZES

To fit average lady's head

## GAUGE

10 sc and 11 rows = 4" [10 cm].

## INSTRUCTIONS

**Note:** Ch 2 at beg of row does not count as hdc.

### Hat

Ch 38.

**\*\*1st row:** (RS). 1 hdc in 3rd ch from hook and each ch to end of chain. Turn. 36 hdc.

**2nd row:** Ch 2. *Working in horizontal bar only, created by hdc at front of work, (see diagram),* 1 hdc in each st to end of row. Turn.

**3rd row:** Ch 2. \*1 hdcCluster in next hdc. 1 sc in next hdc. Rep from \* to end of row. Turn.

**4th row:** Ch 1. *Working in front loops only,* 1 sc in each st to end of row. Turn.

**5th row:** Ch 2. *Working in both loops,* 1 hdc in each sc to end of row. Turn.

**6th row:** Ch 2. *Working in horizontal bar only, created by hdc at front of work, (see diagram),* 1 hdc in each st to end of row. Turn.

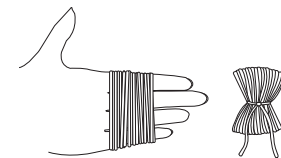
These 3rd to 6th rows form pat.\*\* Cont in pat until work from beg measures approx 21" [53.5 cm], ending on WS row. Fasten off.

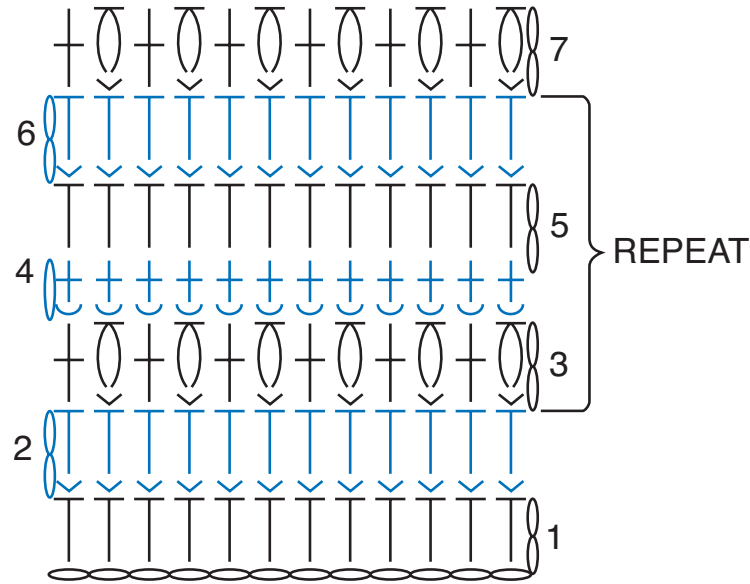
Sew Foundation chain and last row tog, reversing seam approx 4" [10 cm] for turn back.

Weave yarn around one end and gather top tog. Pull tightly. Fasten securely.

**Pompom:** Wind yarn around 4 fingers approx 140 times. Remove from fingers and tie tightly in center. Cut through each side of loops. Trim to a smooth round shape.

Attach Pompom to top of hat.





REDUCED SAMPLE OF HAT PATTERN

STITCH KEY

- = chain (ch)
- ⊕ = single crochet (sc)
- ⊥ = half double crochet (hdc)
- ⌈ = half double crochet cluster (HdcCluster)
- ∨ = worked in front horizontal bar only
- ⌋ = worked in front loop only



Tiffany Brown  
from Daisy Farm Crafts

Daisy Farm Crafts