

Patons
Classic Wool

Patons
Canadiana

Patons
DECOR



A NEW LOOK

SIZES

Bust measurement

Small	30-32 ins	[76-81 cm]
Medium	34-36 ins	[86-91 cm]
Large	38-40 ins	[97-102cm]

Finished bust

Small	38	ins	[97	cm]
Medium	40	ins	[102	cm]
Large	42	ins	[107	cm]

MATERIALS

Patons Classic Wool (100 g/3.5 oz)
or **Patons Décor** (100 g/3.5 oz)
or **Patons Canadiana** (100 g/3.5 oz)

Size	S	M	L	
	8	9	10	balls

Size 5 mm (U.S. 8) knitting needles **or size needed to obtain tension**. Cable needle. 2 st holders.

TENSION

19 sts and 25 rows = 4 ins [10 cm] in stocking st.

ABBREVIATIONS

MB = [(K1. P1) 3 times. K1] all into next st. Pass 2nd, 3rd, 4th, 5th, 6th and 7th sts over first st. Bobble complete.

M1 = Make 1 st by picking up horizontal loop lying before next st and knitting into back of loop.

M1P = Pick up strand of yarn lying between last st worked and next st and purl into back of it.

C6F = Slip next 3 sts onto a cable needle and leave at front of work. K3, then K3 from cable needle.

C6B = Slip next 3 sts onto a cable needle and leave at back of work. K3, then K3 from cable needle.

T4L = slip next 3 sts onto cable needle and leave at front of work. P1, then K3 from cable needle.

T4R = slip next st onto cable needle and leave at back of work. K3, then P1 from cable needle.

T3L = slip next 2 sts onto cable needle and leave at front of work. P1, then K2 from cable needle.

T3R = slip next st onto cable needle and leave at back of work. K2, then P1 from cable needle.

T2L = slip next st onto cable needle and leave at front of work. P1, then K1 from cable needle.

T2R = slip next st onto cable needle and leave at back of work. K1, then P1 from cable needle.

C2B = slip next st onto cable needle and leave at back of work. K1, then K1 from cable needle.

C2F = slip next st onto cable needle and leave at front of work. K1, then K1 from cable needle.

C3B = slip next st onto cable needle and leave at back of work. K2, then K1 from cable needle.

C3F = slip next 2 sts onto cable needle and leave at front of work. K1, then K2 from cable needle.

C4B = slip next st onto cable needle and leave at back of work. K3, then K1 from cable needle.

C4F = slip next 3 sts onto cable needle and leave at front of work. K1, then K3 from cable needle.



ABBREVIATIONS: www.patonsyarns.com/glossary

INSTRUCTIONS

The instructions are written for smallest size. If changes are necessary for larger sizes the instructions will be written thus ().

BACK

**Cast on 118 (122-126) sts.

1st row: (WS). K1 (3-5). *P6. K16. Rep from * to last 7 (9-11) sts. P6. K1 (3-5).

2nd row: Knit.

3rd row: As 1st row.

4th row: K1 (3-5). *C6F. K16. Rep from * to last 7 (9-11) sts. C6F. K1 (3-5).

5th row: As 1st row.

6th row: Knit.

These 6 rows form cable rib pat. Rep these 6 rows 4 times more, then rep 1st to 5th rows once.

Proceed in pat as follows:

1st row: (RS). P4 (6-8). *T4L. K14. T4R. Rep from * to last 4 (6-8) sts. P4 (6-8).

2nd row: K4 (6-8). *K1. P3. K14. P3. K1. Rep from * to last 4 (6-8) sts. K4 (6-8).

3rd row: P4 (6-8). *P1. T4L. K12. T4R. P1. Rep from * to last 4 (6-8) sts. P4 (6-8).

4th row: K4 (6-8). *K2. P3. K12. P3. K2. Rep from * to last 4 (6-8) sts. K4 (6-8).

5th row: P4 (6-8). *P1. MB. T4L. K10. T4R. MB. P1. Rep from * to last 4 (6-8) sts. P4 (6-8).

6th row: K4 (6-8). *K3. P3. K10. P3. K3. Rep from * to last 4 (6-8) sts. K4 (6-8).

7th row: P4 (6-8). *P3. T4L. K8. T4R. P3. Rep from * to last 4 (6-8) sts. P4 (6-8).

8th row: K4 (6-8). *K4. P3. K8. P3. K4. Rep from * to last 4 (6-8) sts. K4 (6-8).

9th row: P4 (6-8). *P3. MB. T4L. K6. T4R. MB. P3. Rep from * to last 4 (6-8) sts. P4 (6-8).

10th row: K4 (6-8). *K5. P3. K6. P3. K5. Rep from * to last 4 (6-8) sts. K4 (6-8).

11th row: P4 (6-8). *P2tog. P3. T4L. K4. T4R. P5. Rep from * to last 4 (6-8) sts. P2tog. P2 (4-6). 112 (116-120) sts.

12th row: K4 (6-8). *K5. P3. K4. P3. K6. Rep from * to last 3 (5-7) sts. K3 (5-7).

13th row: P4 (6-8). *P4. MB. T4L. K2. T4R. MB. P5. Rep from * to last 3 (5-7) sts. P3 (5-7).

14th row: K4 (6-8). *K6. P3. K2. P3. K7. Rep from * to last 3 (5-7) sts. K3 (5-7).

15th row: P4 (6-8). *P6. T4L. T4R. P7. Rep from * to last 3 (5-7) sts. P3 (5-7).

16th row: K4 (6-8). *K7. P6. K8. Rep from * to last 3 (5-7) sts. K3 (5-7).

17th row: P4 (6-8). *P6. MB. T3L. T3R. MB. P7. Rep from * to last 3 (5-7) sts. P3 (5-7).

18th row: K4 (6-8). *K8. P4. K9. Rep from * to last 3 (5-7) sts. K3 (5-7).

19th row: P4 (6-8). *P8. T2L. T2R. P9. Rep from * to last 3 (5-7) sts. P3 (5-7).

20th row: K4 (6-8). *K9. P2tog. K10. Rep from * to last 3 (5-7) sts. K3 (5-7). 107 (111-115) sts.

21st row: P4 (6-8). *P9. MB. P10. Rep from * to last 3 (5-7) sts. P3 (5-7).

22nd row: Knit.

23rd row: Purl.

Rep last 2 rows until work from beg measures 14 (14½-15½) ins [35.5 (37-39.5) cm] ending with RS facing for next row.

Armhole shaping: Cast off 4 (5-6) sts beg next 2 rows. 99 (101-103) sts.

Proceed in pat as follows:

1st row: P49 (50-51). M1P. MB. P49 (50-51). 100 (102-104) sts.

2nd row: Knit.

3rd row: P49 (50-51). C2B. P49 (50-51)

4th row: K49 (50-51). P2. K49 (50-51).

5th row: P46 (47-48). MB. P1. C2B. C2F. P1. MB. P46 (47-48).

6th row: K48 (49-50). P4. K48 (49-50).

7th row: P47 (48-49). C3B. C3F. P47 (48-49).

8th row: K47 (48-49). P6. K47 (48-49).

9th row: P44 (45-46). MB. P1. C4B. C4F. P1. MB. P44 (45-46).

10th row: K46 (47-48). P3. K2. P3. K46 (47-48).

11th row: P45 (46-47). C4B. K2. C4F. P45 (46-47).

12th row: K45 (46-47). P3. K4. P3. K45 (46-47).

13th row: P42 (43-44). MB. P1. C4B. K4. C4F. P1. MB. P42 (43-44).

14th row: K44 (45-46). P3. K6. P3. K44 (45-46).

15th row: P43 (44-45). C4B. K6. C4F. P43 (44-45).

16th row: K43 (44-45). P3. K8. P3. K43 (44-45).

17th row: P40 (41-42). M1P. MB. P1. C4B. K8. C4F. P1. MB. M1P. P40 (41-42). 102 (104-106) sts.

18th row: K43 (44-45). P3. K10. P3. K43 (44-45).

19th row: P42 (43-44). C4B. K10. C4F. P42 (43-44).

20th row: K42 (43-44). P3. K12. P3. K42 (43-44).

21st row: P39 (40-41). MB. P1. C4B. K12. C4F. P1. MB. P39 (40-41).

22nd row: K41 (42-43). P3. K14. P3. K41 (42-43).

23rd row: P40 (41-42). C4B. K14. C4F. P40 (41-42).

24th row: K40 (41-42). P3. K16. P3. K40 (41-42).

25th row: P37 (38-39). MB. P1. C4B. K16. C4F. P1. MB. P37 (38-39).

26th row: K39 (40-41). P3. K18. P3. K39 (40-41).

27th row: P38 (39-40). C4B. K18. C4F. P38 (39-40).

28th row: K38 (39-40). P3. K20. P3. K38 (39-40).

29th row: P35 (36-37). MB. P1. C4B. K20. C4F. P1. MB. P35 (36-37).

30th row: K37 (38-39). P3. K22. P3. K37 (38-39).

31st row: P36 (37-38). C4B. K22. C4F. P36 (37-38).

32nd row: K36 (37-38). P3. K24. P3. K36 (37-38).

33rd row: P33 (34-35). M1P. MB. P1. C4B. K24. C4F. P1. MB. M1P. P33 (34-35). 104 (106-108) sts.

34th row: K36 (37-38). P3. K26. P3. K36 (37-38).

35th row: P35 (36-37). C4B. K26. C4F. P35 (36-37).

36th row: K35 (36-37). P3. K28. P3. K35 (36-37).

37th row: P32 (33-34). MB. P1. C4B. K28. C4F. P1. MB. P32 (33-34).

38th row: K34 (35-36). P3. K30. P3. K34 (35-36).

39th row: P33 (34-35). C4B. K30. C4F. P33 (34-35).

40th row: K33 (34-35). P3. K32. P3. K33 (34-35).

41st row: P30 (31-32). C6B. K32. C6F. P30 (31-32).

42nd row: K30 (31-32). P6. K32. P6. K30 (31-32).

43rd row: P30 (31-32). K44. P30 (31-32).

44th row: As 42nd row.

45th row: As 43rd row.

46th row: As 42nd row.**

Rep 41st to 46th rows 2 (3-3) times more.

Sizes S and L only: Rep 41st to 44th rows once.

Size M only: Rep 41st and 42nd rows once.

Shoulder shaping: Cast off 11 (11-12) sts beg next 4 rows, then 14 (15-14) sts beg following 2 rows. Leave rem 32 sts on a st holder.

FRONT

Work from ** to ** as given for Back.

Size M only: Rep 41st and 42nd rows once.

Size L only: Rep 41st to 44th rows once.

All sizes: Neck shaping: Next row: Pat across 43 (44-45) sts (neck edge). **Turn.** Leave rem sts on a spare needle.

Keeping cont of pat, dec 1 st at neck edge on next 6 rows, then on following alt row. 36 (37-38) sts. Cont in pat until work measures the same length as Back before shoulder shaping, ending with RS facing for next row.

Shoulder shaping: Cast off 11 (11-12) sts beg next and following alt row. Work 1 row even. Cast off rem 14 (15-14) sts.

With RS of work facing slip next 18 sts from spare needle onto a st holder. Join yarn to rem sts and pat to end of row.

Keeping cont of pat, dec 1 st at neck edge on next 6 rows, then on following alt row. 36 (37-38) sts.

Cont in pat until work measures the same length as Back before shoulder shaping, ending with WS facing for next row.

Shoulder shaping: Cast off 11 (11-12) sts beg next and following alt row. Work 1 row even. Cast off rem 14 (15-14) sts.

SLEEVES

Cast on 44 (44-46) sts.

1st row: (WS). K8 (8-9). P6. K16. P6. K8 (8-9).

2nd row: Knit.

3rd row: As 1st row.

4th row: K8 (8-9). C6F. K16. C6B. K8 (8-9).

5th row: As 1st row.

6th row: Knit, inc 1 st each end of needle. 46 (46-48) sts.

These 6 rows form cable rib pat.

Rep last 6 rows 4 times more inc 1 st each end of needle on every 6th row as before. 54 (54-56) sts. Rep 1st to 5th rows once more.

Proceed in pat as follows:

1st row: (RS). P1. M1P. P15 (15-16). T4L. K14. T4R. P15 (15-16). M1P. P1. 56 (56-58) sts.

2nd row: K18 (18-19). P3. K14. P3. K18 (18-19).

3rd row: P18 (18-19). T4L. K12. T4R. P18 (18-19)

4th row: K1. M1. K18 (18-19). P3. K12. P3. K18 (18-19). M1. K1. 58 (58-60) sts

5th row: P19 (19-20). MB. T4L. K10. T4R. MB. P19 (19-20).

6th row: K21 (21-22). P3. K10. P3. K21 (21-22).

7th row: P1. M1P. P20 (20-21). T4L. K8. T4R. P20 (20-21). M1P. P1. 60 (60-62) sts.

8th row: K23 (23-24). P3. K8. P3. K23 (23-24).

9th row: P22 (22-23). MB. T4L. K6. T4R. MB. P22 (22-23).

10th row: K1. M1. K23 (23-24). P3. K6. P3. K23 (23-24). M1. K1. 62 (62-64) sts

11th row: P25 (25-26). T4L. K4. T4R. P25 (25-26).

12th row: K26 (26-27). P3. K4. P3. K26 (26-27).

13th row: P1. M1P. P24 (24-25). MB. T4L. K2. T4R. MB. P24 (24-25). M1P. K1. 64 (64-66) sts.

14th row: K28 (28-29). P3. K2. P3. K28 (28-29).

15th row: P28 (28-29). T4L. T4R. P28 (28-29).

16th row: K1. M1. K28 (28-29). P6. K28 (28-29). M1. K1. 66 (66-68) sts.

17th row: P29 (29-30). MB. T3L. T3R. MB. P29 (29-30).

18th row: K31 (31-32). P4. K31 (31-32).

19th row: P1. M1P. P30 (30-31). T2L. T2R. P30 (30-31). M1P. P1. 68 (68-70) sts.

20th row: K33 (33-34). P2tog. K33 (33-34). 67 (67-69) sts.

21st row: P33 (33-34). MB. P33 (33-34).

22nd row: K1. M1. Knit to last st. M1. K1. 69 (69-71) sts.

23rd row: Purl.

24th row: Knit.

Cont in reverse stocking st inc 1 st each end of needle on next and every following 4th row to 91 (95-97) sts.

Cont even in reverse stocking st until work from beg measures 17½ (18-19) ins [44.5 (45.5-48.5) cm] ending with RS facing for next row. Cast off.

Place markers on side edges of Sleeves ¾ (1-1¼) ins [2 (2.5-3) cm] down from cast off edge.

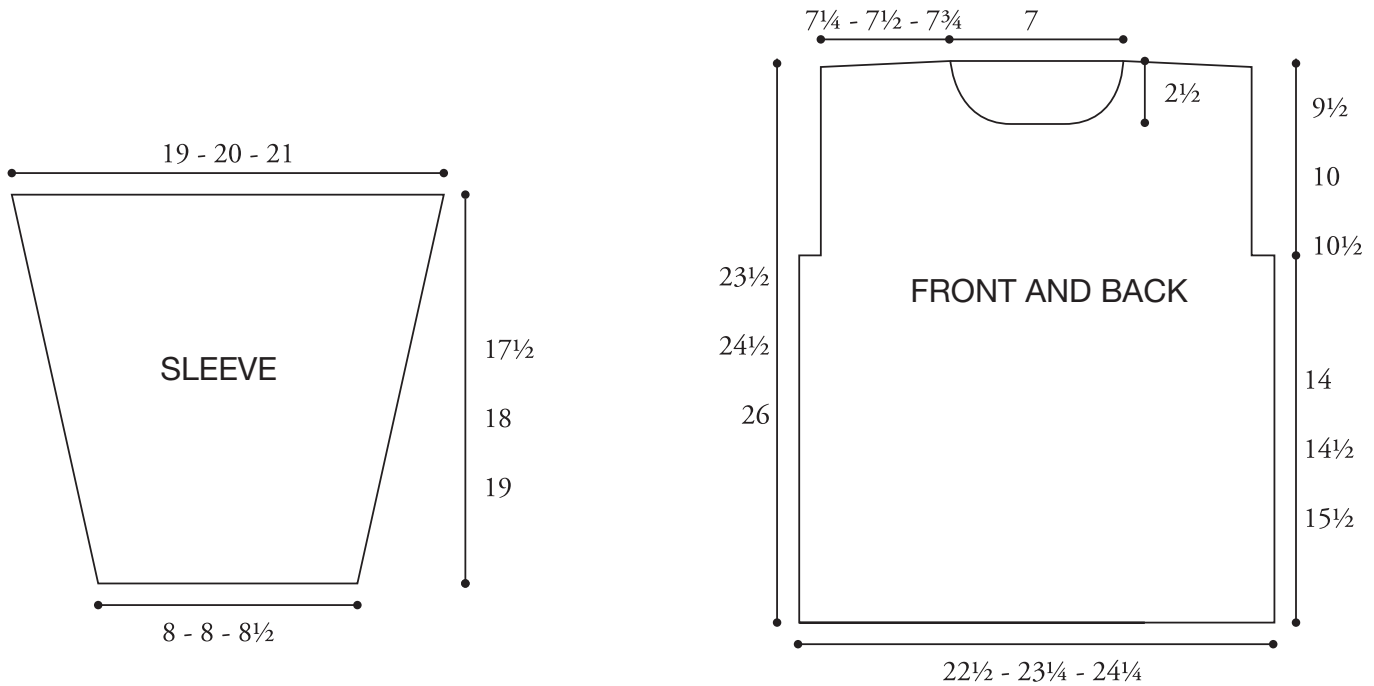
FINISHING

Block all pieces to measurements, cover with a damp cloth and allow to dry.

Neckband: Sew right shoulder seam. With RS of work facing pick up and knit 15 sts down Left Front neck edge. Knit across 18 sts from Front st holder. Pick up and knit 15 sts up Right Front neck edge. Knit across 32 sts from Back st holder. 80 sts.

Work 3 ins [7.5 cm] in garter st, then work 2 ins [5 cm] in stocking st. Cast off loosely. Sew left shoulder and neckband seam. Fold neckband in half to **WS** and sew loosely in position noting that ½ ins [1 cm] of garter st will fold to **WS**.

Sew in sleeves placing rows above markers along cast off sts of Front and Back to form square armholes. Sew side and sleeve seams.



... a part of your life.

P.O. Box 40, Listowel ON N4W 3H3