



Gayle Bunn
Designer



KNIT | SKILL LEVEL: INTERMEDIATE

ABBREVIATIONS

Alt = Alternate(ing)

Beg = Beginning

C4B = Slip next 2 stitches onto cable needle and leave at back of work. K2, then K2 from cable needle

Cr4F = Slip next stitch onto cable needle and leave at front of work. K3, then K1 from cable needle.

Cr4B = Slip next 3 stitches onto cable needle and leave at back of work. K1, then K3 from cable needle

Cont = Continue(ity)

Dec = Decrease(ing)

Inc = Increase(ing)

K = Knit

K1tbl = Knit next stitch through back of loop

K2tog = Knit next 2 stitches together

P = Purl

P1tbl = Purl next stitch through back of loop

P2tog = Purl next 2 stitches together

P2togtbl = Purl next 2 stitches together through back loops

Pat = Pattern

PssO = Pass slipped stitch over

Rem = Remain(ing)

Rep = Repeat

RS = Right side

Ssk = Slip next 2 stitches knitwise one at a time. Pass them back onto left-hand needle, then knit through back loops together

St(s) = Stitch(es)

T2F = Slip next stitch onto cable needle and leave at front of work. P1, then K1tbl from cable needle

T2B = Slip next stitch onto cable needle and leave at back of work. K1tbl, then P1 from cable needle

T3F = Slip next stitch onto cable needle and leave at front of work. K1tbl, P1, then K1tbl from cable needle

Tog = Together

WS = Wrong side

Yo = Yarn over

MATERIALS

Patons® Shetland Chunky Tweeds™ (85 g/3 oz; 125 yds/114 m)

Sizes	XS/S	M	L	XL	2/3XL	4/5XL	
Pewter Tweed (67044)	8	9	10	11	13	15	balls

OR Patons® Shetland Chunky™ (3.5 oz/100 g; 143 yds/131 m)							
	7	8	9	10	12	14	balls

Sizes U.S. 8 (5 mm) and U.S. 10 (6 mm) knitting needles or size needed to obtain gauge. Cable needle. 4 st holders. Yarn needle.

SIZES

To fit bust measurement

XS/S	28-34" [71-86.5 cm]
M	36-38" [91.5-96.5 cm]
L	40-42" [101.5-106.5 cm]
XL	44-46" [112-117 cm]
2/3XL	48-54" [122-137 cm]
4/5XL	56-62" [142-157.5 cm]

Finished bust

XS/S	37" [94 cm]
M	40" [101.5 cm]
L	44" [112 cm]
XL	48" [122 cm]
2/3XL	52" [132 cm]
4/5XL	60" [152.5 cm]

GAUGE

15 sts and 20 rows = 4" [10 cm] in stocking st with larger needles.

INSTRUCTIONS

The instructions are written for smallest size. If changes are necessary for larger sizes the instructions will be written thus (). Numbers for each size are shown in the same color throughout the pattern. When only one number is given in black, it applies to all sizes.

CABLE PANEL A (worked over 15 sts).

(See chart on page 5).

1st row: (RS). P6. T3F. P6.

2nd row: K6. P1tbl. K1. P1tbl. K6.

3rd row: P5. T2B. K1. T2F. P5.

4th row: K5. P1tbl. K1. P1. K1. P1tbl. K5.

5th row: P4. T2B. K1. P1. K1. T2F. P4.

6th row: K4. P1tbl. (K1. P1) twice. K1. P1tbl. K4.

7th row: P3. T2B. (K1. P1) twice. K1. T2F. P3.

8th row: K3. P1tbl. (K1. P1) 3 times. K1. P1tbl. K3.

9th row: P2. T2B. (K1. P1) 3 times. K1. T2F. P2.

10th row: K2. P1tbl. (K1. P1) 4 times. K1. P1tbl. K2.

11th row: P1. T2B. (K1. P1) 4 times. K1. T2F. P1.

12th row: K1. P1tbl. (K1. P1) 5 times. K1. P1tbl. K1.

13th row: P1. T2F. (P1. K1) 4 times. P1. T2B. P1.

14th row: As 10th row.

15th row: P2. T2F. (P1. K1) 3 times. P1. T2B. P2.

16th row: As 8th row.

17th row: P3. T2F. (P1. K1) twice. P1. T2B. P3.

18th row: As 6th row.

19th row: P4. T2F. P1. K1. P1. T2B. P4.

20th row: As 4th row.

21st row: P5. T2F. P1. T2B. P5.

22nd row: As 2nd row.

These 22 rows form Cable Panel A.

CABLE PANEL B (worked over 13 sts).

(See chart on page 5).

1st row: (RS). P2. Cr4F. K1. Cr4B. P2.

2nd row: K2. P9. K2.

3rd row: P2. K9. P2.

4th row: As 2nd row.

These 4 rows form Cable Panel B.

CABLE PANEL C (worked over 6 sts).

(See chart on page 5).

1st row: (RS). P1. K4. P1.

2nd row: K1. P4. K1.

3rd row: P1. C4B. P1.

4th row: As 2nd row.

5th and 6th rows: As 1st and 2nd rows.

These 6 rows form Cable Panel C.

BACK

With smaller needles, cast on **73 (77-85-93-105-117) sts.

1st row: (RS). *P1. K1tbl. Rep from * to last st. P1.

2nd row: *K1. P1tbl. Rep from * to last st. K1.**

Rep last 2 rows Twisted Ribbing.

Pat for 4" [10 cm], ending on a 2nd row and inc 3 sts evenly across last row. **76 (80-88-96-108-120)** sts.

Change to larger needles and proceed in pat as follows:

1st row: (RS). *K2. P2. Rep from * to end of row.

2nd row: *K2. P2. Rep from * to end of row.

3rd row: *P2. K2. Rep from * to end of row.

4th row: *P2. K2. Rep from * to end of row.

These 4 rows form Box St Pat.

Cont in Box St Pat until work from beg measures **17 (17-16½-16½-16-16)" [43 (43-42-42-40.5-40.5) cm]**, ending on a WS row.

Shape raglans: Keeping cont of pat, cast off 2 sts beg next 2 rows. **72 (76-84-92-104-116)** sts rem.

Size 4/5XL only: 1st row: (RS). K2. ssk. Pat to last 4 sts. K2tog. K2.

2nd row: P2. P2tog. Pat to last 4 sts. P2togtbl. P2.

Rep last 2 rows 9 times more, then 1st row once. 74 sts rem.

Next row: (WS). P3. Pat to last 3 sts. P3.

All sizes: 1st row: K2. ssk. Pat to last 4 sts. K2tog. K2.

2nd row: P2. P2tog. Pat to last 4 sts. P2togtbl. P2.

3rd row: As 1st row.

4th row: P3. Pat to last 3 sts. P3. Rep last 4 rows **0 (2-3-7-11-6)** times more. **66 (58-60-44-32-32)** sts rem.

Sizes XS/S, M, L and XL only: 1st row: K2. ssk. Pat to last 4 sts. K2tog. K2.

2nd row: P3. Pat to last 3 sts. P3. Rep last 2 rows **18 (14-14-6)** times more.

All sizes: Leave rem **28 (28-30-30-32-32)** sts on a st holder.

FRONT

Work from ** to ** as given for Back.

Rep last 2 rows Twisted Ribbing Pat for 4" [10 cm], ending on a 2nd row and inc 8 sts evenly across last row. **81 (85-93-101-113-125)** sts.

Change to larger needles and proceed in pat as follows:

1st row: (RS). **P0 (2-2-2-0-2)**. (K2. P2) **1 (1-2-3-5-6)** time(s). Work 1st row Cable Panel C. P2. K2. P4. K1tbl. Work 1st row Cable Panel B.

K1tbl. Work 1st row Cable Panel A. K1tbl. Work 1st row Cable Panel B. K1tbl. P4. K2. P2. Work 1st row Cable Panel C. (P2. K2) **1 (1-2-3-5-6)** time(s). **P0 (2-2-2-0-2)**.

2nd row: **K0 (2-2-2-0-2)**. (P2. K2) **1 (1-2-3-5-6)** time(s). Work 2nd row Cable Panel C. K2. P2. K4. P1tbl. Work 2nd row Cable Panel B. P1tbl. Work 2nd row Cable Panel A. P1tbl. Work 2nd row Cable Panel B. P1tbl. K4. P2. K2. Work 2nd row Cable Panel C. (K2. P2) **1 (1-2-3-5-6)** time(s). **K0 (2-2-2-0-2)**.

3rd row: **K0 (2-2-2-0-2)**. (P2. K2) **1 (1-2-3-5-6)** time(s). Work 3rd row Cable Panel C. (K2. P2) twice. K1tbl. Work 3rd row Cable Panel B. K1tbl. Work 3rd row Cable Panel A. K1tbl. Work 3rd row Cable Panel B across next 13 sts. K1tbl. (P2. K2) twice. Work 3rd row Cable Panel C. (K2. P2) **1 (1-2-3-5-6)** time(s). **K0 (2-2-2-0-2)**.

4th row: **P0 (2-2-2-0-2)**. (K2. P2) **1 (1-2-3-5-6)** time(s). Work 4th row Cable Panel C. (P2. K2) twice. P1tbl. Work 4th row Cable Panel B. P1tbl. Work 4th row Cable Panel A. P1tbl. Work 4th row Cable Panel B. P1tbl. (K2. P2) twice. Work 4th row Cable Panel C. (P2. K2) **1 (1-2-3-5-6)** time(s). **P0 (2-2-2-0-2)**.

Last 4 rows form Box St Pat at sides. Cable Panel Pats A, B and C are now in position.

Cont even in pat until work from beg measures same length as Back to beg of raglan shaping, ending on a WS row.

Shape raglans: Keeping cont of pat, cast off 2 sts beg next 2 rows. **77 (81-89-97-109-121)** sts rem.

Sizes 2/3XL and 4/5XL only: 1st row: (RS). K2. ssk. Pat to last 4 sts. K2tog. K2.

2nd row: P2. P2tog. Pat to last 4 sts. P2togtbl. P2. Rep last 2 rows **(2-11)** times more, then 1st row once. **(95-71)** sts rem. **Next row:** (WS). P3. Pat to last 3 sts. P3.

All sizes: 1st row: K2. ssk. Pat to last 4 sts. K2tog. K2.

2nd row: P2. P2tog. Pat to last 4 sts. P2togtbl. P2.

3rd row: As 1st row.

4th row: P3. Pat to last 3 sts. P3. Rep last 4 rows **1 (3-4-8-6-2)** time(s) more. **65 (57-59-43-53-53)** sts rem.

Sizes XS/S, M and L only: 1st row: K2. ssk. Pat to last 4 sts. K2tog. K2. **2nd row:** P3. Pat to last 3 sts. P3. Rep last 2 rows **11 (7-7)** times more. **41 (41-43)** sts rem.

Sizes XS/S, M, L and XL only: Shape neck: 1st row: (RS). K2. ssk. Pat across next 7 sts (neck edge). Turn. Leave rem sts on a st holder. Dec 1 st at neck edge on next 4 rows, AT SAME TIME, dec 1 st at raglan edge (as before) on every following alt row until 4 sts rem.

Next row: (WS). P4.
Next row: K2. ssk.
Next row: P3.
Next row: K1. ssk.
Next row: P2.
Next row: ssk. Fasten off.

With RS facing, slip center **19 (19-21-21)** sts onto a st holder. Join yarn to rem sts. Pat to last 4 sts. K2tog. K2.

Dec 1 st at neck edge on next 4 rows, AT SAME TIME, dec 1 st at raglan edge (as before) on every following alt row until 4 sts rem.

Next row: (WS). P4.
Next row: K2tog. K2.
Next row: P3.
Next row: K2tog. K1.
Next row: P2.
Next row: K2tog. Fasten off.

Sizes 2/3XL and 4/5XL only:
Shape neck: 1st row: (RS). K2. ssk. Pat across next 12 sts (neck edge).
Turn. Leave rem sts on a st holder.
2nd row: P2tog. Pat to last 4 sts. P2togtbl. P2.
3rd row: K2. ssk. Pat to last 2 sts. K2tog.
4th row: P2tog. Pat to last 3 sts. P3.
5th row: As 3rd row.
6th row: As 2nd row.
7th row: K2. ssk. Pat to end of row.
8th row: Pat to last 3 sts. P3.
9th row: As 7th row. 4 sts rem.
10th row: P2togtbl. P2.
11th row: K1. ssk.
12th row: P2.
13th row: ssk. Fasten off.

With RS facing, slip center 21 sts onto a st holder. Join yarn to rem sts.

1st row: Pat to last 4 sts. K2tog. K2.
2nd row: P2. P2tog. Pat to last 2 sts. P2togtbl.
3rd row: ssk. Pat to last 4 sts. K2tog. K2.
4th row: P3. Pat to last 2 sts. P2togtbl.
5th row: As 3rd row.
6th row: As 2nd row.
7th row: Pat to last 4 sts. K2tog. K2.
8th row: P3. Pat to end of row.

9th row: As 7th row. 4 sts rem.
10th row: P2. P2tog.
11th row: K2tog. K1.
12th row: P2.
13th row: K2tog. Fasten off.

SLEEVES

With smaller needles, cast on **35 (35-35-37-37-37)** sts. Work 2½" [6 cm] in Twisted Ribbing Pat as given for Back, ending on a 2nd row and inc **2 (2-2-4-4-4)** sts evenly across last row. **37 (37-37-41-41-41)** sts.

Change to larger needles and proceed in pat as follows:

1st row: (RS). **P0 (0-0-2-2-2)**. (K2. P2) twice. P2. K1tbl. Work 1st row Cable Panel A. K1tbl. P2. (P2. K2) twice. **P0 (0-0-2-2-2)**.
2nd row: **K0 (0-0-2-2-2)**. (P2. K2) twice. K2. P1tbl. Work 2nd row Cable Panel A. P1tbl. K2. (K2. P2) twice. **K0 (0-0-2-2-2)**.
3rd row: **K0 (0-0-2-2-22)**. (P2. K2) twice. P2. K1tbl. Work 3rd row Cable Panel A. K1tbl. P2. (K2. P2) twice. **K0 (0-0-2-2-2)**.
4th row: **P0 (0-0-2-2-2)**. (K2. P2) twice. K2. P1tbl. Work 4th row Cable Panel A. P1tbl. K2. (P2. K2) twice. **P0 (0-0-2-2-2)**.

Last 4 rows form Box St Pat at sides. Cable Panel A is now in position. Cont in pat, inc 1 st each end of next row and every following **6th (6th-4th-6th-4th-4th)** row until there are **59 (59-45-61-47-49)** sts, taking inc sts into Box St Pat.

Sizes L, 2/3XL and 4/5XL only: Inc 1 st each end of every following 6th row until there are **(61-63-65)** sts, taking inc sts into Box St Pat.

All sizes: Cont even in pat until work from beg measures **18 (18-17½-17½-17-16½)" [45.5 (45.5-44.5-44.5-43-42)** cm], ending on a WS row.

Shape raglans: Keeping cont of pat, cast off 2 sts beg next 2 rows. **55 (55-57-57-59-61)** sts rem.

Sizes XS/S, M, L and XL only:
1st row: (RS). K2. ssk. Pat to last 4 sts. K2tog. K2.
2nd row: P2. P2tog. Pat to last 4 sts. P2togtbl. P2.
3rd row: As 1st row.
4th row: P3. Pat to last 3 sts. P3. Rep last 4 rows **1 (1-0-0)** time more. **43 (43-51-51)** sts rem.

All sizes: 1st row: (RS). K2. ssk. Pat to last 4 sts. K2tog. K2.
2nd row: P3. Pat to last 3 sts. P3. Rep last 2 rows **16 (16-20-20-23-22)** times more. Leave rem **9 (9-9-9-11-11)** sts on a st holder.

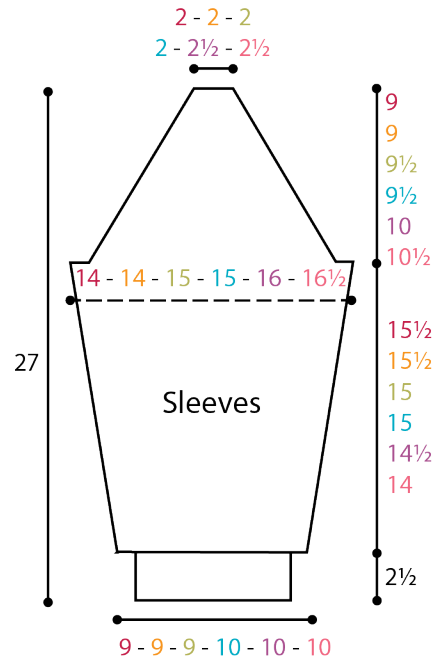
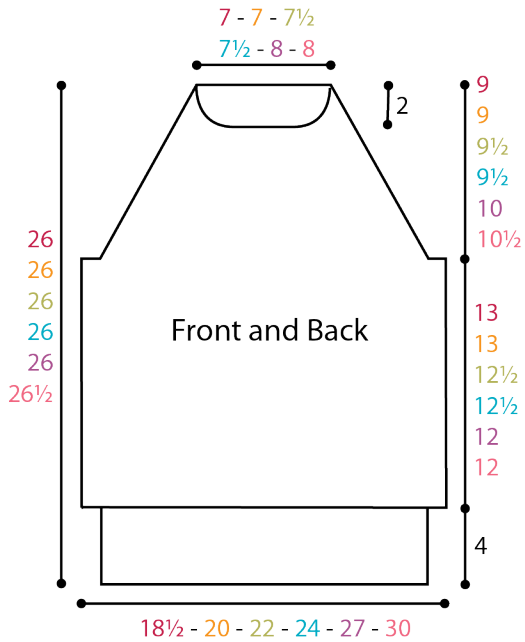
FINISHING

Pin all pieces to measurements. Cover with a damp cloth, leaving cloth to dry.

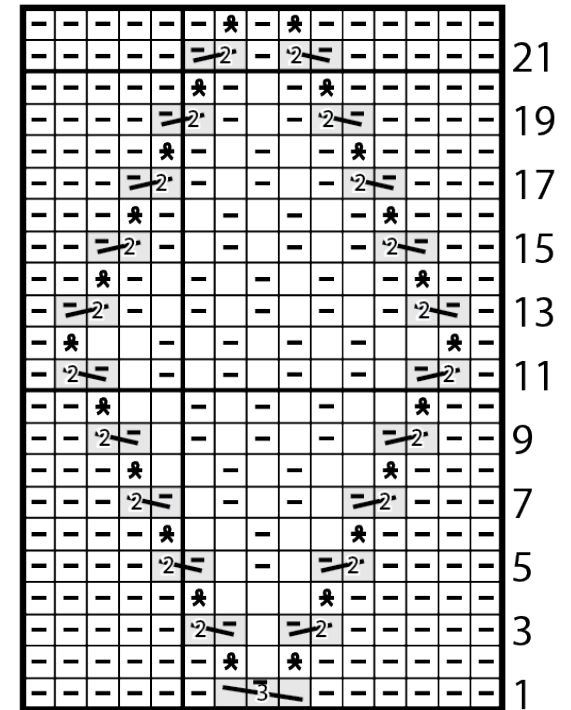
Neckband: Sew raglan seams, leaving left back raglan seam open. With RS facing and smaller needles, **K9 (9-9-9-11-11)** from left sleeve st holder. Pick up and knit 11 sts down left front neck edge. **K19 (19-21-21-21-21)** from front st holder, dec 2 sts evenly across. Pick up and knit 11 sts up right front neck edge. **K9 (9-9-9-11-11)** from right sleeve st holder. **K28 (28-30-30-32-32)** from back st holder. **85 (85-89-89-95-95)** sts.

Beg on a 2nd row, work 6" [15 cm] in Twisted Ribbing Pat as given for Back. Cast off loosely in ribbing.

Sew left raglan and neckband seam. Fold neckband in half to WS and sew cast off edge loosely in position on WS. Sew side and sleeve seams.



Cable Panel A



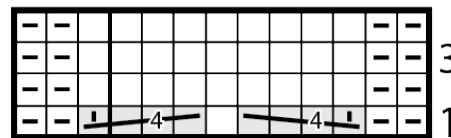
Start Here

Key

- = Knit on RS rows. Purl on WS rows.
- ▣ = Purl on RS rows. Knit on WS rows.

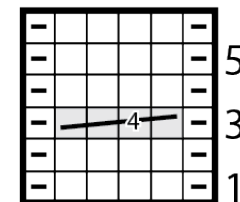
- = T2B
- = T2F
- = T3F
- = Cr4F
- = Cr4B
- = P1tbl
- = C4B

Cable Panel B



Start Here

Cable Panel C



Start Here