



## LACE COLLARED CARDIGAN

### SIZES

#### Bust measurement

**Small** 30-32ins [76-81 cm]

**Medium** 34-36ins [86-91 cm]

**Large** 38-40ins [97-102 cm]

#### Finished bust

**Small** 42 ins [107 cm]

**Medium** 44 ins [112 cm]

**Large** 48 ins [122 cm]

### MATERIALS

Patons Astra (50 g/1.75 oz)

Size S M L

Main color MC (Grey)

12 13 14 balls

Contrast A (Black)

1 1 1 ball

Sizes 3.75 mm (U.S. 5) and 4 mm (U.S. 6) knitting needles or size needed to obtain tension. 2 st holders.

### TENSION

22 sts and 29 rows = 4 ins [10 cm] with larger needles in pat.

### ABBREVIATIONS

**KB1** = knit into back of next st.

### INSTRUCTIONS

*The instructions are written for smallest size. If changes are necessary for larger sizes the instructions will be written thus ().*

#### BACK

With smaller needles and MC, cast on 115 (121-133) sts.

**1st row:** (RS). K1. \*P1. K1. Rep from \* to end of row.

This row forms seed st pat.

Work in seed st for 1½ ins [4 cm] inc 1 st at center and ending with RS facing for next row. 116 (122-134) sts.

Change to larger needles and proceed as follows:

**1st row:** (RS). Purl.

\*\*\***2nd row:** Knit.

**3rd row:** P2. \*KB1. P2. Rep from \* to end of row.\*\*\*

Last 2 rows form pat.

Cont in pat until work from beg measures 18 (18½-19) ins [46 (47-48) cm] ending with RS facing for next row.

**Armhole shaping:** Cast off 4 sts beg next 2 rows. Dec 1 st each end of needle on next 4 rows. 100 (106-118) sts.

Cont in pat until work from beg measures 27 (28-29) ins [68.5 (71-73.5) cm] ending with RS facing for next row.

**Shoulder shaping:** Cast off 11 (12-14) sts beg next 4 rows, then 11 (11-14) sts beg following 2 rows. Cast off rem 34 (36-34) sts.

**Pocket Linings** (Make 2).

With smaller needles and MC, cast on 26 sts.

Work 5 ins [12.5 cm] in stocking st, dec 1 st at center of last row and ending with RS facing for next row. Leave these 25 sts on a st holder.

#### LEFT FRONT

\*\*With smaller needles and MC, cast on 59 (63-69) sts.



ABBREVIATIONS: [www.patonsyarns.com/glossary](http://www.patonsyarns.com/glossary)

Work in seed st as given for Back for 1½ ins [4 cm], inc 2 (1-1) st(s) at center of last row, ending with RS facing for next row. 61 (64-70) sts.\*\*

Change to larger needles and proceed as follows:

**1st row:** (RS). Purl to last 5 sts. K1. (P1. K1) twice.

**2nd row:** K1. (P1. K1) twice. Knit to end of row.

**3rd row:** P2. \*KB1. P2. Rep from \* to last 5 sts. K1. (P1. K1) twice.

Last 2 rows form pat.

Cont in pat until work from beg measures 6½ ins [16.5 cm] ending with RS facing for next row.

**Pocket placement: Next row:**

Pat 17 (20-26) sts across. Slip next 25 sts onto a st holder. Pat across 25 sts from pocket st holder. Pat to end of row.

Cont in pat until work from beg measures 18 (18½-19) ins [46 (47-48) cm] ending with RS facing for next row.

**Armhole and V-neck shaping:**

**1st row:** Cast off 4 sts. P1. \*KB1. P2. Rep from \* to last 2 sts. P2tog (neck edge). Place marker.

**2nd row:** K2tog. Knit to last 2 sts. K2tog.

**3rd row:** P2tog. P1. \*KB1. P2. Rep from \* to last 2 sts. P2tog.

Cont in pat, dec 1 st at armhole edge on next 2 rows AT THE SAME TIME dec 1 st at neck edge every alt row twice then every following 4th row until there are 33 (35-42) sts.

Cont in pat until work from beg measures 27 (28-29) ins [68.5 (71-73.5) cm] ending with RS facing for next row.

**Shoulder shaping:** Cast off 11 (12-14) sts beg next and following alt row. Work 1 row even. Cast off rem 11 (11-14) sts.

**RIGHT FRONT**

Work from \*\* to \*\* as given for Left Front.

Change to larger needles and proceed as follows:

**1st row:** (RS). K1. (P1. K1) twice. Purl to end of row.

**2nd row:** Knit to last 5 sts. K1. (P1. K1) twice.

**3rd row:** K1. (P1. K1) twice. P2. \*KB1. P2. Rep from \* to end of row. Last 2 rows form pat.

Cont in pat until work from beg measures 6½ ins [16.5 cm] ending with RS facing for next row.

**Pocket placement: Next row:** Pat 19 sts across. Slip next 25 sts on a st holder. Knit across 25 sts from pocket st holder. Pat to end of row.

Cont in pat until work from beg measures 18 (18½-19) ins [46 (47-48) cm] ending with **WS** facing for next row.

**Armhole and V-neck shaping:**

**1st row:** Cast off 4 sts. Knit to last 2 sts. K2tog (neck edge). Place marker.

**2nd row:** P2tog. \*KB1. P2. Rep from \* to last 2 sts. P2tog.

**3rd row:** K2tog. Knit to last 2 sts. K2tog.

Cont in pat, dec 1 st at armhole edge on next 2 rows **at the same time** dec 1 st at neck edge every alt row twice, then every following 4th row until there are 33 (35-42) sts on needle.

Cont in pat until work from beg measures 27 (28-29) ins [68.5 (71-73.5) cm] ending with **WS** facing for next row.

**Shoulder shaping:** Cast off 11 (12-14) sts beg next and following alt row. Work 1 row even. Cast off rem 11 (11-14) sts.

**SLEEVES**

With smaller needles and MC, cast on 53 sts.

**1st row:** K1. \*P1. K1. Rep from \* to end of row.

This row forms seed st pat. Work in seed st for 1½ ins [4 cm] ending with RS facing for next row.

Change to larger needles and proceed as follows:

**1st row:** (RS). Purl.

Work from \*\*\* to \*\*\* as given for Back inc 1 st each end of needle on next and following 4th rows to 81 (93-99) sts, then every following 6th row to 99 (103-111) sts, taking inc sts into pat.

Cont in pat until work from beg measures 19½ (20¼ -21) ins [49.5 (51.5-53.5) cm], ending with RS facing for next row.

**Shape Top: Next row:** Sl1. K1. pss0. Pat to last 2 sts. K2tog. Place markers at each end of row.  
**Next row:** P2tog. Pat to last 2 sts. P2togtbl.

Rep last 2 rows once more. Cast off.

## FINISHING

Pin garment pieces to measurements. Cover with a damp cloth leaving to dry. Sew shoulder seams.

**Collar:** With smaller needles and A, cast on 15 sts.

**1st row:** (RS). K3. yfwd. K2tog. K1. K2tog. yfwd. K2. K2tog. yfwd. K1. yfwd. K2tog.

**2nd row:** yfwd. K1. yfwd. K3. yfwd. K2tog. K2. yfwd. K3tog. yfwd. K4.

**3rd row:** K8. K2tog. yfwd. K5. yfwd. K2tog.

**4th row:** yfwd. (K1. yfwd) twice. K2tog. K1. K2tog. yfwd. K1. yfwd. K2tog. K7.

**5th row:** K6. K2tog. yfwd. K3. yfwd. K3tog. yfwd. K3. yfwd. K2tog.

**6th row:** yfwd. K1. yfwd. K11. yfwd. K2tog. K5.

**7th row:** K4. (K2tog. yfwd. K1. yfwd. K2tog. K1) twice. K2tog. yfwd. K1. yfwd. K2tog.

**8th row:** yfwd. K1. yfwd. (K3. yfwd. K3tog. yfwd) twice. K3. yfwd. K2tog. K3.

**9th row:** K2. K2tog. yfwd. Knit to last 2 sts. yfwd. K2tog.

**10th row:** (yfwd. K2tog) twice. (K1. K2tog. yfwd. K1. yfwd. K2tog) twice. K1. K2tog. yfwd. K4.

**11th row:** K5. (yfwd. K3tog. yfwd. K3) twice. (yfwd. K3tog) twice.

**12th row:** yfwd. K3tog. yfwd. K12. yfwd. Knit to end of row.

**13th row:** K7. yfwd. K3tog. K1. K2tog. yfwd. K1. yfwd. K2tog. K1. K2tog. yfwd. K3tog.

**14th row:** yfwd. K2tog. yfwd. K3tog. yfwd. K3. yfwd. K3tog. yfwd. Knit to end of row.

**15th row:** K9. yfwd. K2tog. K3. K2tog. yfwd. K3tog.

**16th row:** (yfwd. K2tog) twice. K1. K2tog. yfwd. K2. K2tog. yfwd. K1. yfwd. K2tog. K3.

**17th row:** K2. K2tog. yfwd. K3. yfwd. K2tog. K2. (yfwd. K3tog) twice.

**18th row:** yfwd. K3tog. yfwd. Knit to end of row.

These 18 rows form lace pat.

Cont in pat until Collar, when slightly stretched, fits V-neck edge between markers and ending with 18th row. Cast off.

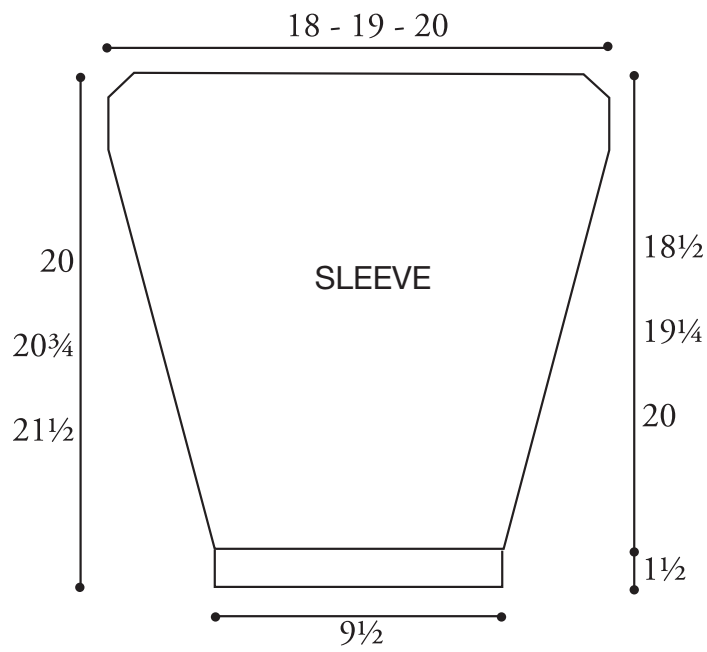
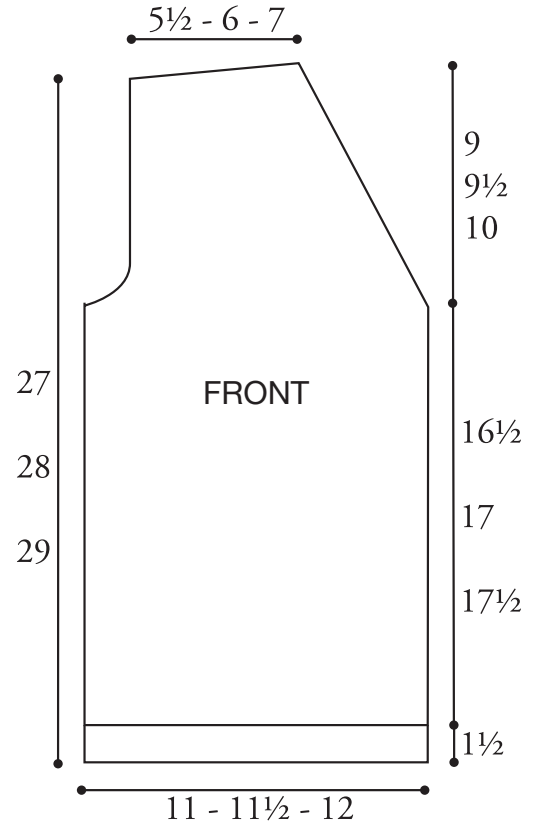
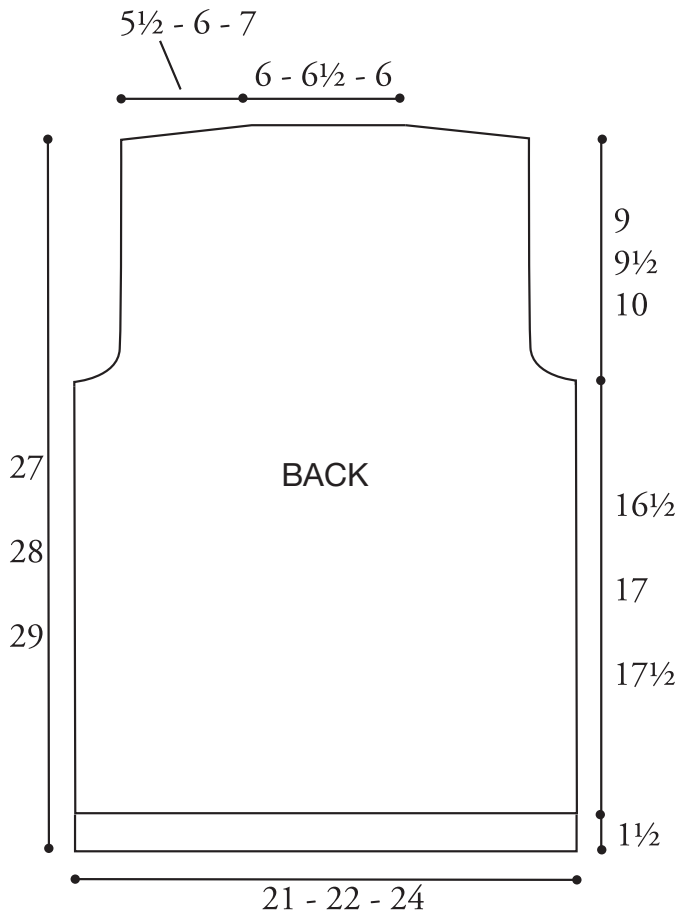
**Pocket Edging:** With RS of work facing, MC and smaller needles, knit across 25 sts from pocket st holder.

Beg and ending on a 2nd row, work in seed st as given for Back for ¾ inch [2 cm]. Cast off in pat.

Sew pocket edging in position on RS and pocket lining in position on WS. Sew in sleeves matching rows above markers to cast off sts at underarms. Sew side and sleeve seams.

**Belt:** With smaller needles and MC, cast on 7 sts and work in seed st as given for Back until work from beg measures 55 ins [142 cm]. Cast off.

Sew shoulder seams. Sew in sleeves. Sew side and sleeve seams. Sew side pocket borders to Fronts. Sew collar to neck edges between markers.



 Patons®

... a part of your life.

P.O. Box 40, Listowel ON N4W 3H3