

BERNAT® YULETIDE YOKE SWEATER | KNIT



 KNIT | SKILL LEVEL: INTERMEDIATE

SIZES

To fit chest measurement

2	21" [53.5 cm]
4	23" [58.5 cm]
6	25" [63.5 cm]
8	26½" [67.5 cm]

Finished chest

2	24" [61 cm]
4	26" [66 cm]
6	28" [71 cm]
8	29" [73.5 cm]

GAUGE

18 sts and 24 rows = 4" [10 cm] with larger needles in stocking stitch.

MATERIALS

Bernat® Satin™ (3.5 oz/100 g; 200 yds/182 m)

Sizes	2	4	6	8	yrs balls
Main Color (MC) Crimson (04705)	2	3	3	4	balls
Contrast A Silk (04007)	1	1	1	1	ball

Sizes U.S. 7 (4.5 mm) and 8 (5 mm) circular knitting needles 24" [60 cm] long. Set of four sizes U.S. 7 (4.5 mm) and U.S. 8 (5 mm) double-pointed knitting needles **or size needed to obtain gauge**. 5 stitch holders. 1 stitch marker.

INSTRUCTIONS

The instructions are written for smallest size. If changes are necessary for larger sizes the instructions will be written thus (). Numbers for each size are shown in the same color throughout the pattern. When only one number is given in black, it applies to all sizes.

Body

With MC and smaller circular needle, cast on **108 (118-126-130)** sts. Join in rnd, placing marker on first st.

1st rnd: *K1. P1. Rep from * around.

Rep last rnd for (K1. P1) ribbing until work from beg measures 2" [5 cm].

Change to larger circular needle and proceed as follows:

1st rnd: Knit, inc **0 (2-0-2)** sts evenly around. **108 (120-126-132)** sts.

2nd rnd: Knit.

Knit Chart I to end of chart, *reading rows from right to left*, noting 6-st rep will be worked **18 (20-21-22)** times. Break A.

Chart I is shown on page 2.

With MC only, knit even in rnds until work from beg measures **10 (11-11½-12)" [25.5 (28-29-30.5) cm]**.

Next rnd: [K**54 (60-63-66)**. Slip last **6 (6-8-8)** sts onto a st holder for underarm] twice. Leave all sts on a spare needle.

Sleeves

With set of four smaller double-pointed needles and MC, cast on **24 (30-36-36)** sts. Divide sts evenly onto 3 needles. Join in rnd, placing marker on first st.

1st rnd: *K1. P1. Rep from * around.

Rep last rnd for (K1. P1) ribbing until work from beg measures 1½" [4 cm].

Change to larger double-pointed needles and proceed as follows:

Next rnd: Knit.

Knit Chart I to end of chart, noting 6-st rep will be worked **4 (5-6-6)** times. Break A.

With MC only, proceed as follows:

****Next rnd:** Kfb. Knit to last st. Kfb. **26 (32-38-38)** sts.

Knit **8 (16-18-18)** rnds even.**

Rep from ** to ** **4 (2-2-3)** times more. **34 (36-42-44)** sts.

Knit even in rnds until Sleeve from beg measures **8½ (10½-11½-12½)" [21.5 (26.5-29-32) cm]**.

Next rnd: K**31 (33-38-40)**. Slip last **3 (3-4-4)** sts and first **3 (3-4-4)** sts of rnd onto a st holder for underarm. Break yarn. Leave rem **28 (30-34-36)** sts on a st holder.

BERNAT® YULETIDE YOKE SWEATER | KNIT

Yoke

1st rnd: With MC and larger circular needle, [K28 (30-34-36) for Sleeve. PM. K48 (54-55-58) for Body. PM] twice. 152 (168-178-188) sts.

Next rnd: Knit, inc 2 (0-4-8) sts evenly around. 154 (168-182-196) sts.

Sizes 6 and 8 only: With MC, knit 3 rnds even.

All sizes: Work Chart II to end of chart, reading rows from **right to left**, noting 14-st rep will be worked 11 (12-13-14) times.

Sizes 6 and 8 only: **Next rnd:** With MC, Knit, dec (2-0) sts evenly around. (180-196) sts.

Next rnd: With MC, knit.

Next rnd: With A, knit.

All sizes: **Next rnd:** With MC, *K2tog. K2. Rep from * to last 2 (0-0-0) sts. K2 (0-0-0). 114 (126-135-147) sts.

Sizes 6 and 8 only: **Next rnd:** With A, *K(43-47). K2tog. Rep from * twice more. (132-144) sts.

All sizes: **Next rnd:** With MC, knit.

Work Chart I to end of chart, noting 6-st rep will be worked 19 (21-22-24) times. Break A.

Next rnd: With MC, *K2tog. K1. Rep from * around. 76 (84-88-96) sts.

With MC, knit 12 (15-12-14) rnds even.

Size 2 only: **Next rnd:** K7. *K2tog. K4. Rep from * to last 3 sts. K1. K2tog. 64 sts.

Sizes 4, 6 and 8 only: **Next rnd:** *K2. K2tog. K(3-2-2). K2tog. Rep from * to last (3-0-0) sts. K(3-0-0). (66-66-72) sts.

All sizes: Change to smaller set of 4 needles. Work in (K1. P1) ribbing as given above for 1" [2.5 cm]. Cast off loosely in ribbing.

FINISHING

Graft sts tog at underarms.

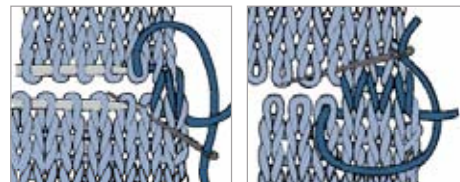


Chart I

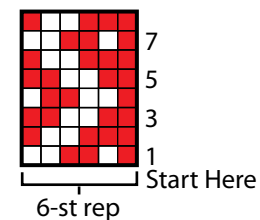
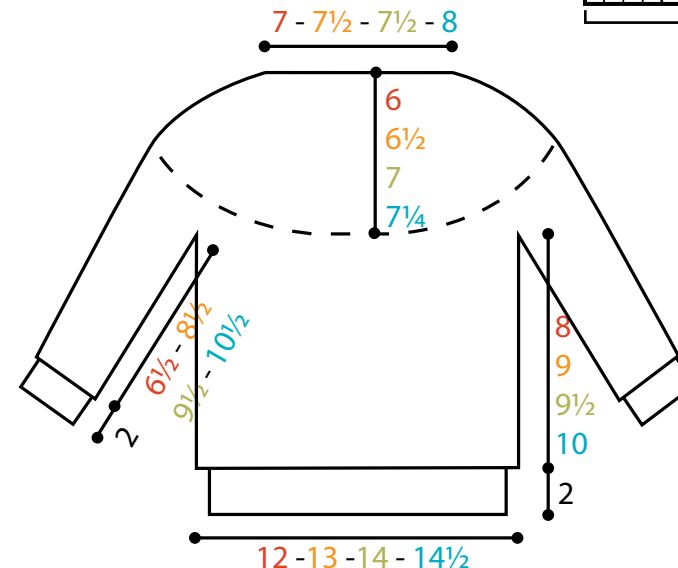
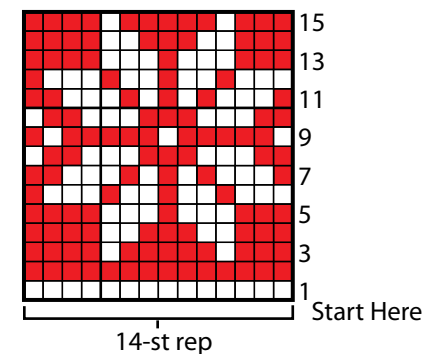


Chart II



ABBREVIATIONS:

Approx = Approximate(ly)

Beg = Begin(ning)

Dec = Decrease(ing)

Inc = Increase(ing)

K = Knit

K2tog = Knit next 2 stitches together

Kfb = Increase 1 stitch by knitting into front and back of next stitch

P = Purl

Pat = Pattern

PM = Place marker

Rem = Remain(ing)

Rep = Repeat(ing)

Rnd(s) = Round(s)

St(s) = Stitch(es)

Tog = Together