

**Patons®**  
**Canadiana**

**Patons**  
**DECOR**



**SADDLE SLEEVE  
SNOWFLAKES**

### SIZES

#### Bust/chest measurement

**Small** 30-32 ins [76-81 cm]

**Medium** 34-36 ins [86-91 cm]

**Large** 38-40 ins [97-102cm]

**Extra-Large**

42-44 ins [107-112cm]

#### Finished bust/chest

**Small** 40 ins [102 cm]

**Medium** 44 ins [112 cm]

**Large** 48 ins [122 cm]

**Extra-Large** 52 ins [132 cm]

### MATERIALS

**Patons Canadiana** (100 g/3.5 oz)  
or **Patons Décor** (100 g/3.5 oz)

**Size S M L XL**

**Main Color (MC)** (Aran or Dk Green)

7 7 7 8 **balls**

**Contrast A** (Dk Green or Aran)

1 1 1 1 **ball**

Sizes 3.75 mm (U.S. 5) and 4.5 mm (U.S. 7) knitting needles.

Size 3.75 mm (U.S. 5) circular knitting needle 26 ins [70 cm] long **or size needed to obtain tension**. 2 st holders. 1 zipper.

### TENSION

20 sts and 26 rows = 4 ins [10 cm] with larger needles in stocking st.

### ABBREVIATIONS

**Tw2L** = knit into back of 2nd st on left hand needle, then knit into front of first st, slipping both sts off needle tog.

**Tw2R** = knit into front of 2nd st on left hand needle, then knit into front of first st, slipping both sts off needle tog.

### INSTRUCTIONS

*The instructions are written for smallest size. If changes are necessary for larger sizes the instructions will be written thus ( ).*

**Note:** When working from chart, carry yarn not in use loosely across WS of work but never over more than 5 sts. When it must pass over more than 5 sts, weave it over and under color in use on next st or at center point of sts it passes over. The colors are never twisted around one another.

### BACK

\*\*With A and smaller needles cast on 95 (**105-115-125**) sts.

**1st row:** (RS). With MC, K1. \*P1. K1. Rep from \* to end of row.



ABBREVIATIONS: [www.patonsyarns.com/glossary](http://www.patonsyarns.com/glossary)

**Patons®**

*... a part of your life.*

P.O. Box 40, Listowel ON N4W 3H3

**2nd row:** P1. \*K1. P1. Rep from \* to end of row. Rep these 2 rows (K1. P1) ribbing for 2 ins [5 cm] ending on a 2nd row and inc 5 sts evenly across last row. 100 (110-120-130) sts.

Change to larger needles and proceed in stocking st until work from beg measures 19 ins [48 cm], ending with RS facing for next row.

**Armhole shaping:** Cast off 7 sts beg next 2 rows. 86 (96-106-116) sts.\*\*

Cont even until armhole measures 6½ (7-7½-8) ins [16.5 (18-19-20.5) cm] ending with RS facing. Cast off.

## FRONT

Work from \*\* to \*\* as given for Back.

Cont even until armhole measures 1 (1½-1¾-2½) ins [2.5 (4-4.5-6) cm] ending with RS facing.

**Placket opening:** (RS). K39 (44-49-54). P1. Inc 1 st in next st. P2. **Turn.** Leave rem sts on a spare needle.

**Next row:** K2. P2. K1. Purl to end of row. 44 (49-54-59) sts.

**Next row:** K39 (44-49-54). P1. Tw2L. P2.

Rep last 2 rows until placket opening measures 4 ins [10 cm] ending with RS facing for next row.

**Neck shaping: Next row:** Knit to last 9 (9-10-10) sts. **Turn.** Leave rem sts on a st holder. Cast off 3 sts beg next and following alt row.

Work 1 row even. Dec 1 st at neck edge on following 2 rows. 27 (32-36-41) sts.

Cont even until armhole measures same length as Back ending with RS facing. Cast off.

With RS of work facing, join yarn to rem sts on spare needle.

**Next row:** P2. Inc 1 st in next st. P1. Knit to end of row. 44 (49-54-59) sts.

**Next row:** P39 (44-49-54). K1. P2. K2.

**Next row:** P2. Tw2R. P1. Knit to end of row.

Rep last 2 rows until placket opening measures 4 ins [10 cm] ending with **WS** facing for next row.

**Neck shaping: Next row:** Purl to last 9 (9-10-10) sts. **Turn.** Leave rem sts on a st holder. Cast off 3 sts beg next and following alt row.

Work 1 row even. Dec 1 st at neck edge on following 2 rows. 27 (32-36-41) sts.

Cont even until armhole measures same length as Back ending with RS facing. Cast off.

## LEFT SLEEVE

\*\*\*With A and smaller needles cast on 43 (45-45-47) sts. Change to MC and work 2 ins [5 cm] in (K1. P1) ribbing as given for Back ending on a 2nd row and inc 8 sts evenly across last row. 51 (53-53-55) sts.

Change to larger needles and proceed in pat as follows:

**1st row:** (RS). K14 (15-15-16). P1. Tw2L. P1. Work 1st row of Chart in stocking st reading row from **right** to left. P1. Tw2R. P1. K14 (15-15-16).

**2nd row:** P14 (15-15-16). K1. P2. K1. Work 2nd row of Chart in stocking st reading row from **left** to right. K1. P2. K1. P14 (15-15-16).

These 2 rows form pat. Chart is now in position.

Cont in pat, working appropriate rows of chart, inc 1 st each end of needle on next and following 4th rows to 89 (**93-99-103**) sts, taking inc sts into stocking st.

Cont even in pat until row 108 (**108-110-110**) of chart has been worked, ending with RS facing for next row. Place markers on side edges of Sleeves 1½ ins [4 cm] down from needle.

**Armhole and saddle strip shaping:** Keeping cont of pat, cast off 33 (**35-38-40**) sts beg next 2 rows. 23 sts.

Cont even in pat until end of chart.\*\*\*

**Next row:** (RS). P1. Tw2L. P1. K15. P1. Tw2R. P1.

**Neck shaping: Next row:** Cast off 12 sts. P7 (including st on needle after cast off). K1. P2. K1. 11 sts.

**Next row:** P1. Tw2L. P1. K7.

**Next row:** P7. K1. P2. K1.

Rep last 2 rows until strip from neck cast off measures 3¼ (**3¼-3½-3½**) ins [8.5 (**8.5-9-9**) cm], ending with RS facing for next row. Cast off.

## RIGHT SLEEVE

Work from \*\*\* to \*\*\* as given for Left Sleeve.

**Neck shaping: Next row:** (RS). Cast off 12 sts. K7 (including st on needle after cast off). P1. Tw2R. P1. 11 sts.

**Next row:** K1. P2. K1. P7.

**Next row:** K7. P1. Tw2R. P1. Rep last 2 rows until strip from neck cast off measures 3¼ (**3¼-3½-3½**) ins [8.5 (**8.5-9-9**) cm], ending with RS facing for next row. Cast off.

## FINISHING

Pin garment pieces to measurements. Cover with a damp cloth leaving to dry.

**Neckband:** Sew saddle strips to shoulders of Front and Back. Sew cast off edges of saddle strips tog. With RS of work facing and circular needle, slip first 9 (**9-10-10**) sts from right front st holder onto needle, join MC and pick up and knit 9 (**9-11-11**) sts up right front neck edge, 10 sts along neck edge of right sleeve saddle strip, 29 (**29-31-31**) sts across back neck edge of saddle strips, 10 sts along neck edge of left sleeve saddle strip and 9 (**9-11-11**) sts down

left front neck edge. Work across sts on left neck edge st holder as follows: K4 (**4-5-5**). P1. Tw2L. P2. 85 (**85-93-93**) sts. **Do not join.**

**Next row:** (WS). K2. P2. K1. P71 (**71-78-78**). P4 (**4-5-5**). K1. P2. K2.

**Next row:** P2. Tw2R. P1. (K1. P1) 38 (**38-42-42**) times. Tw2L. P2.

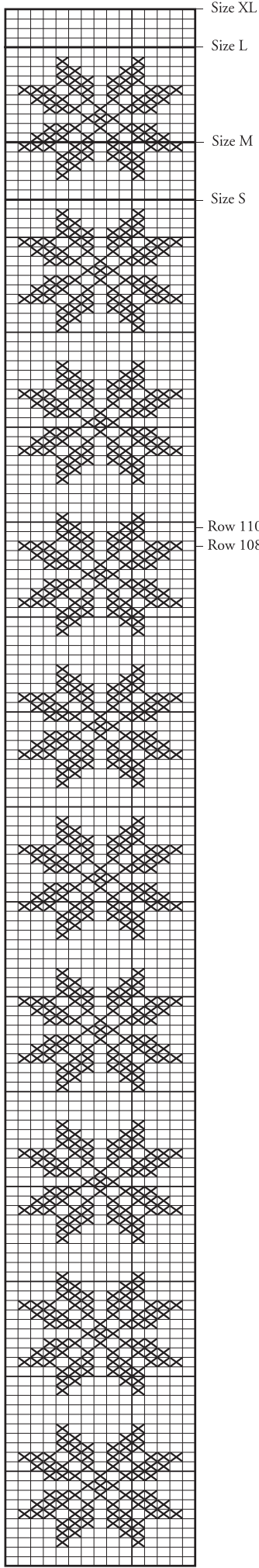
**Next row:** K2. P2. K1. (P1. K1) 38 (**38-42-42**) times. P2. K2.

Rep last 2 rows for 2½ ins [6 cm] ending with RS facing for next row.

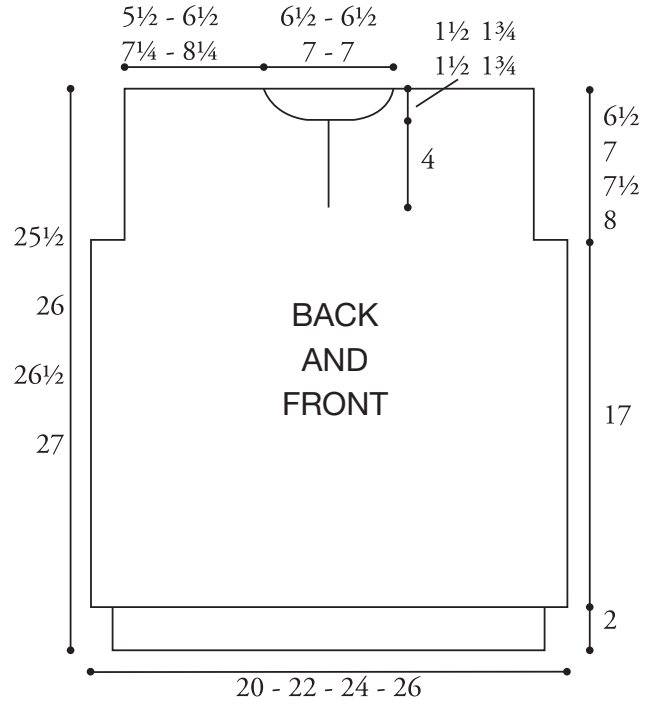
With A cast off in ribbing.

**Placket edging:** With RS of work facing, MC and circular needle pick up and knit 69 sts around placket opening. Cast off.

Sew in Sleeves placing rows above markers along cast off sts at armholes to form square armholes. Sew side and sleeve seams. Sew in zipper under front placket opening.



# CHART



Key

□ = MC

⊠ = Contrast A

