



**BERNAT® HANDICRAFTER
COTTON**
BERNAT® SATIN
FLOWER CARDIGAN
(TO CROCHET)

SIZES

To fit bust measurement

Extra-Small/Small

28-34 ins [71-86.5 cm]

Medium

36-38 ins [91.5-96.5 cm]

Large

40-42 ins [101.5-106.5 cm]

Extra-Large

44-46 ins [112-117 cm]

2/3 Extra-Large

48-54 ins [122-137 cm]

4/5 Extra-Large

56-62 ins [142-157.5 cm]

Finished bust

Extra-Small/Small

37½ ins [95 cm]

Medium

41½ ins [105.5 cm]

Large

45½ ins [115.5 cm]

X-Large

50 ins [127 cm]

2/3 X-Large

58 ins [147.5 cm]

4/5 X-Large

66 ins [167.5 cm]

GAUGE

16 hdc and 12 rows = 4 ins [10 cm].

MATERIALS

Bernat® Handicrafter Cotton

(50 g/1.75 oz/73 m/80 yds)
or **Bernat® Satin** (100 g/3.5 oz/149 m/163 yds)

Sizes XS/S (M-L-XL-2/3XL-4/5XL)

Main Color (MC)(White)

1220 (1345-1465-1590-1830-2075) m

OR

1340 (1470-1605-1740-2005-2270) yds

Contrast A (Green)

122 (122-122-122-122-122) m

OR

134 (134-134-134-134-134) yds

Contrast B (Blue)

122 (122-122-122-122-122) m

OR

134 (134-134-134-134-134) yds

Size 4 mm (U.S. G or 6) crochet hook **or size needed to obtain gauge.** 6 (6-6-7-7-7) buttons.

ABBREVIATIONS

Beg = Beginning.

Ch = Chain.

Cont = Continue(ity).

Hdc = Half double crochet.

Rem = Remaining.

Rep = Repeat.

RS = Right side.

Sc = Single crochet.

Sl st = Slip stitch.

Sp(s) = Space(s).

St(s) = Stitch(es).

WS = Wrong side.

Yoh = Yarn over hook.

INSTRUCTIONS

The instructions are written for smallest size. If changes are necessary for larger sizes the instructions will be written thus (). When only one number is given, it applies to all sizes. For ease in working, circle all numbers pertaining to your size.

Notes: Ch 2 at beg of row does not count as st.

To change color, work to last 2 loops on hook. Draw a loop in next color through 2 loops on hook to complete st and proceed in next color.

BACK

With MC, ch 74 (82-90-101-117-133).

1st row: (RS). 1 sc in 2nd ch from hook. 1 sc in each ch to end of ch. Turn. 73 (81-89-100-116-132) sc. Join A.

****2nd row:** With A, ch 1. Working through front loops only, 1 sc in each sc to end of row. Turn. Join B.

3rd row: With B, ch 1. Working through back loops only, 1 sc in each sc to end of row. Turn. Join MC.

4th row: With MC, as 2nd row. Join A.

5th row: With A, as 3rd row. Join B.

6th row: With B, as 2nd row. Join MC.

7th row: With MC, as 3rd row. Join A.

8th row: With A, as 2nd row. Join B.

9th row: With B, as 3rd row. Join MC.

10th row: With MC, ch 2. Working through front loops only, 1 hdc in each sc to end of row. Turn.**

Sizes XS/S, M and L only: 1st row: (RS). Ch 2. *Yoh and draw up a loop in each of next 2 hdc. Yoh and draw through all loops on hook* – hdc2tog made. 1 hdc in each hdc to last2 hdc. Hdc2tog over last 2 hdc. Turn.

2nd row: Ch 2. 1 hdc in each st to end of row. Turn. Rep last 2 rows once more, then 1st row once. 67 (75-83) sts.

Work 3 rows even.

Next row: Ch 2. 2 hdc in first st. 1 hdc in each hdc to last hdc. 2 hdc in last hdc. Turn.

Work 4 rows even.

Rep last 5 rows 3 times more. 75 (83-91) sts.

All sizes: Cont even until work from beg measures 11 (11½-11½-14-15-15) ins [28 (29-29-35.5-38-38) cm], ending with a WS row.

Shape armholes: Next row: Sl st in each of first 6 (7-9-10-15-17) hdc. Ch 2. 1 hdc in each hdc to last 6 (7-9-10-15-17) sts. **Turn.** Leave rem sts unworked. 63 (69-73-80-86-98) hdc.

Next row: Ch 2. Hdc2tog over first 2 sts. 1 hdc in each hdc to last 2 sts. Hdc2tog over last 2 sts. Turn. Rep last row 4 (6-7-8-9-13) times more. 53 (55-57-62-66-70) sts.

Cont even until armhole measures 7½ (7½-8-8½-9-9½) ins [19 (19-20.5-21.5-23-24) cm], ending with a WS row.

Shape back neck: Next row: Ch 2. 1 hdc in each of next 8 (9-9-15-15-17) hdc. Hdc2tog over next 2 hdc. **Turn.** Leave rem sts unworked.

Next row: Ch 2. Hdc2tog over first 2 sts. 1 hdc in each hdc to end of row. 8 (9-9-15-15-17) sts. Fasten off.

With RS facing, miss next 33 (33-35-28-32-32) sts. Join MC with sl st to next st. Ch 2. Hdc2tog over first 2 sts. 1 hdc in each hdc to end of row. Turn.

Next row: Pat to last 2 sts. Hdc2tog over last 2 sts. 8 (9-9-15-15-17) sts. Fasten off.

LEFT FRONT

***With MC, ch 37 (41-45-51-59-67).

1st row: (RS). 1 sc in 2nd ch from hook. 1 sc in each ch to end of ch. Turn. 36 (40-44-50-58-66) sc. Join A.

Work from ** to ** as given for Back.***

Sizes XS/S, M and L only: 1st row: (RS). Ch 2. Hdc2tog over first 2 hdc. 1 hdc in each hdc to end of row. Turn.

2nd row: Ch 2. 1 hdc in each st to end of row. Turn.

Rep last 2 rows once more, then 1st row once. 33 (37-41) sts.

Work 3 rows even.

Next row: Ch 2. 2 hdc in first hdc. 1 hdc in each hdc to end of row. Turn.

Work 4 rows even.

Next row: Ch 2. 1 hdc in each hdc to last hdc. 2 hdc in last hdc. Turn. Work 4 rows even.

Rep last 10 rows once more. 37 (41-45) sts.

All sizes: Cont even until work from beg measures 11 (11½-11½-14-15-15) ins [28 (29-29-35.5-38-38) cm], ending with a WS row.

Shape armhole: 1st row: Sl st in each of first 6 (7-9-10-15-17) hdc. Ch 2. 1 hdc in each hdc to end of row. 31 (34-36-40-43-49) hdc.

2nd row: Ch 2. 1 hdc in each hdc to last 2 sts. Hdc2tog over last 2 sts. Turn.

3rd row: Ch 2. Hdc2tog over first 2 sts. 1 hdc in each hdc to end of row. Turn.

Rep last 2 rows 1 (2-3-3-4-6) time(s) more, then 1st row 1 (1-0-1-0-0) time more. 26 (27-28-31-33-35) sts.

Cont even until armhole measures 5 (5-5½-6-6-6) ins [12.5 (12.5-14-15-15-15) cm], ending with a WS row.

Shape neck: Next row: Ch 2. 1 hdc in each of next 11 (12-12-18-18-20) hdc. Hdc2tog over next 2 hdc.

Turn. Leave rem sts unworked.

Next row: Ch 2. Hdc2tog over first 2 sts. 1 hdc in each hdc to end of row. Turn.

Next row: Ch 2. 1 hdc in each hdc to last 2 sts. Hdc2tog over last 2 sts. Turn.

Rep last 2 rows once more. 8 (9-9-15-15-17) sts.

Next row: Ch 2. 1 hdc in each st to end of row. Turn.

Rep last row until armhole measures same length as back before shoulder. Fasten off.

RIGHT FRONT

Work from *** to *** as given for Left Front.

Sizes XS/S, M and L only: 1st row: (RS). Ch 2. 1 hdc in each hdc to last 2 hdc. Hdc2tog over last 2 hdc. Turn.

2nd row: Ch 2. 1 hdc in each st to end of row. Turn. Rep last 2 rows once more, then 1st row once. 33 (37-41) sts.

Work 3 rows even.

Next row: Ch 2. 1 hdc in each hdc to last hdc. 2 hdc in last hdc. Turn.

Work 4 rows even.

Next row: Ch 2. 2 hdc in first hdc. 1 hdc in each hdc to end of row. Turn.

Work 4 rows even.

Rep last 10 rows once more. 37 (41-45) sts.

All sizes: Cont even until work from beg measures 11 (11½-11½-14-15-15) ins [28 (29-29-35.5-38-38) cm], ending with a WS row.

Shape armhole: 1st row: Ch 2. 1 hdc in each hdc to last 6 (7-9-10-15-17) hdc. **Turn.** Leave rem sts

unworked. 31 (34-36-40-43-49) hdc.

2nd row: Ch 2. Hdc2tog over first 2 sts. 1 hdc in each hdc to end of row. Turn.

3rd row: Ch 2. 1 hdc in each hdc to last 2 sts. Hdc2tog over last 2 sts. Turn.

Rep last 2 rows 1 (2-3-3-4-6) time(s) more, then 1st row 1 (1-0-1-0-0) time more. 26 (27-28-31-33-35) sts.

Cont even until armhole measures 5 (5-5½-6-6-6) ins [12.5 (12.5-14-15-15-15) cm], ending with a WS row.

Shape neck: Next row: Sl st in each of first 13 (13-14-11-13-13) hdc. Ch 2. Hdc2tog over next 2 hdc.

1 hdc in each of next 11 (12-12-18-18-20) hdc. Turn.

Next row: Ch 2. 1 hdc in each hdc to last 2 sts. Hdc2tog over last 2 sts. Turn.

Next row: Ch 2. Hdc2tog over first 2 sts. 1 hdc in each hdc to end of row. Turn.

Rep last 2 rows once more. 8 (9-9-15-15-17) sts.

Next row: Ch 2. 1 hdc in each st to end of row. Turn.

Rep last row until armhole measures same length as back before shoulder. Fasten off.

SLEEVES

With MC, ch 39 (39-41-41-45-47).

1st row: (RS). 1 sc in 2nd ch from hook. 1 sc in each ch to end of ch. Turn. 38 (38-40-40-44-46) sc.

Work from ** to ** as given for Back.

Next row: Ch 2. 1 hdc in each hdc to end of row. Turn.

Next row: Ch 2. 2 hdc in first hdc. 1 hdc in each hdc to last hdc. 2 hdc in last hdc. Turn.

Work 3 (3-3-1-1-1) row(s) even in hdc.

Rep last 4 (4-4-2-2-2) rows 2 (7-7-3-11-15) times more. 44 (54-56-48-68-78) hdc.

Next row: (RS). Ch 2. 2 hdc in first hdc. 1 hdc in each hdc to last hdc. 2 hdc in last hdc. Turn.

Work 4 (4-4-2-2-2) rows even in hdc.

Rep last 5 (5-5-3-3-3) rows 4 (1-1-9-3-1) time(s) more. 54 (58-60-68-76-82) hdc.

Cont even until work from beg measures 17½ (18-18-18½-17½-17) ins [44.5 (45.5-45.5-47-45.5-43) cm], ending with a WS row.

Shape top: 1st row: Sl st across first 4 (5-6-7-10-11) sts. Ch 2. Hdc2tog over next 2 hdc. 1 hdc in each hdc to last 6 (7-8-9-12-13) sts. Hdc2tog over next 2 hdc. **Turn.** Leave rem sts unworked. 44 (46-46-52-54-58) sts.

2nd row: (WS). Ch 2. Hdc2tog over first 2 sts. 1 hdc in each hdc to last 2 sts. Hdc2tog over last 2 sts. Turn.

3rd row: Ch 2. 1 hdc in each st to end of row. Turn. Rep last 2 rows 4 (2-5-3-4-2) times more, then 2nd row to 16 (16-16-18-18-18) sts. Fasten off.

FINISHING

Pin garment pieces to measurements. Cover with a damp cloth, leaving cloth to dry.

Sew shoulder seams.

Neck edging: Join MC with sl st to right front corner of neck edge. Work 24 (24-25-27-31-35) sc up right front neck edge, 32 (32-34-34-38-38) sc across back neck edge, 24 (24-25-27-31-35) sc down left front neck edge. Join A. Turn. 80 (80-84-88-100-108) sc.

Next row: (WS). Working in front loops only, with A, ch 1. 1 sc in each sc to end of row. Join B. Turn.

Next row: Working in back loops only, with B, ch 1. 1 sc in each sc to end of row. Join B. Turn. Fasten off.

Button band: With RS of work facing, join MC with sl st to neck edge corner of left front. Ch 1. Work 64 (66-68-80-84-84) sc evenly down left front edge.

Next 2 rows: Ch 1. 1 sc in each sc to end of row. Turn. Fasten off at end of last row.

Buttonhole band: With RS of work facing, join MC with sl st to bottom corner of right front. Ch 1. Work 64 (66-68-80-84-84) sc evenly down left front edge.

Next row: Ch 1. 1 sc in each of first 5 (7-9-6-10-10) sc. *Ch 2. Miss next 2 sc. 1 sc in each of next 9 (9-9-10-10-10) sc. Rep from * 4 (4-4-5-5-5) times more. Ch 2. Miss next 2 sc. 1 sc in each of next 2 sc.

Next row: Ch 1. 1 sc in each st to end of row, working 2 sc in ch-2 sps. Fasten off.

FLOWER (Make 6).

With B, ch 5. Join in ring.

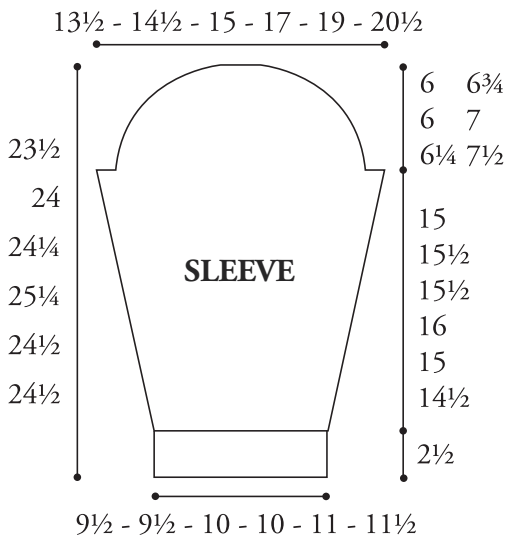
1st rnd: 10 sc in ring. Join with sl st to first sc.

2nd rnd: *Ch 1. 1 sc in next sc. Ch 5. Rep from * 4 times more. Join with sl st to first sc. Fasten off.

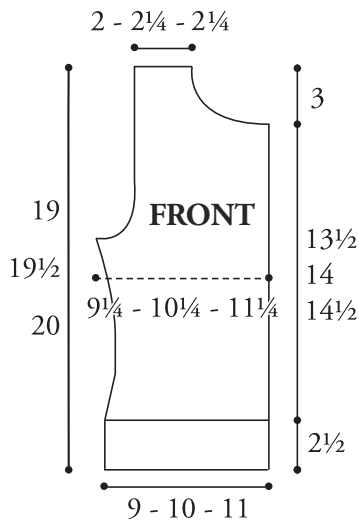
Using chain st and lazy-daisy st, embroider stems and leaves. Sew on flowers as shown on Diagram.

Sew in sleeves. Sew side and sleeve seams.

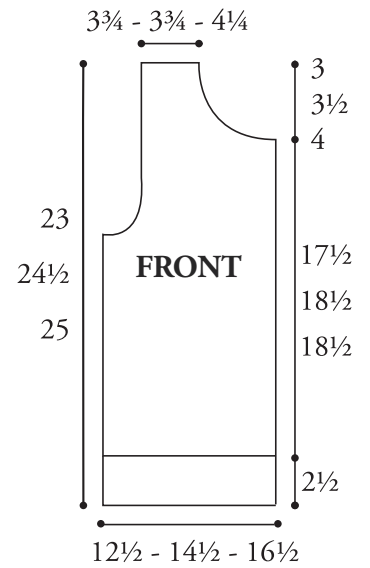
ALL SIZES



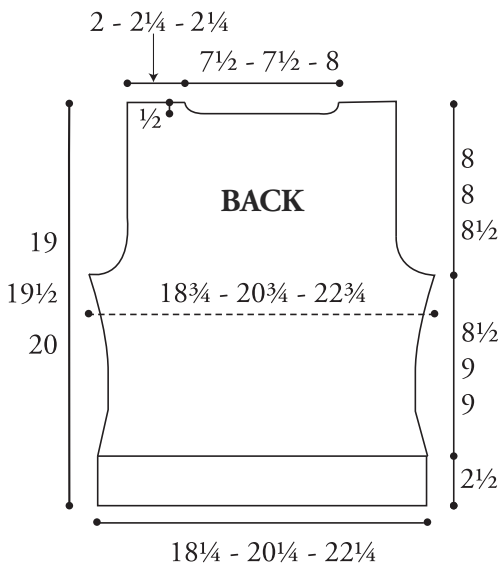
SIZES: XS/S, M and L



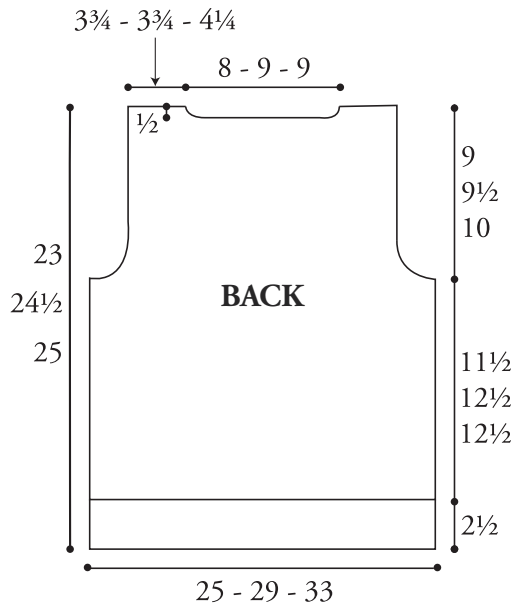
SIZES: XL, 2/3XL and 4/5XL



SIZES: XS/S, M and L



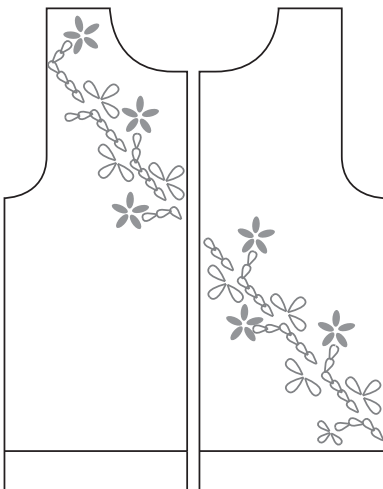
SIZES: XL, 2/3XL and 4/5XL






Lazy-Daisy Stitch



Diagram



Key

-  = With A, chain st.
-  = With A, Lazy-Daisy st
-  = With B, Flower.

ABBREVIATIONS

www.bernat.com/glossary



P.O. Box 40, Listowel ON N4W 3H3
 "home style... life style... your style."